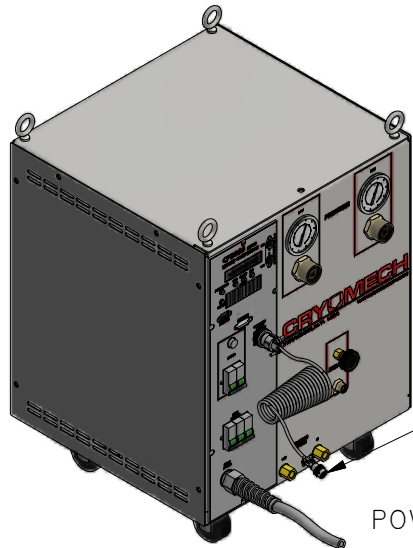


ALL INFORMATION CONTAINED IN THIS DOCUMENT SHOULD BE USED FOR REFERENCE PURPOSES ONLY & ARE SUBJECT TO CHANGE WITHOUT PRIOR NOTIFICATION. ALSO, THIS DOCUMENT IS CONSIDERED PROPRIETARY & THE SOLE PROPERTY OF CRYOMECH, INC. & SHOULD NOT BE REPRODUCED IN ANY MANNER WITHOUT PRIOR WRITTEN APPROVAL.



POWER CORD

CP2850 COMPRESSOR PACKAGE (WATER COOLED)



POWER CORD

CP2850 COMPRESSOR PACKAGE (AIR COOLED)

COLD HEAD MOTOR CORD (SAME LENGTH AS FLEX LINES)

COLD HEAD MOTOR CORD (SAME LENGTH AS FLEX LINES)

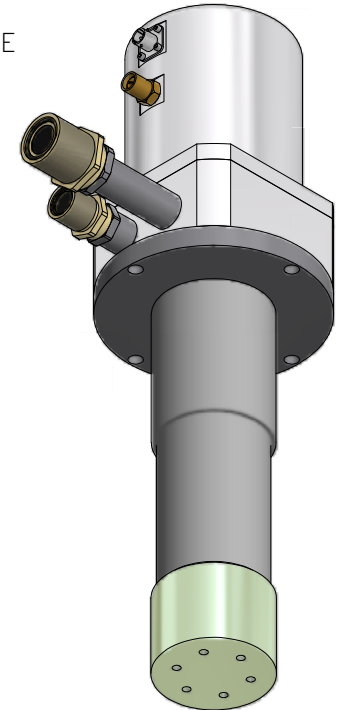
3/4" AEROQUIP

3/4" AEROQUIP

(2) HELIUM FLEX LINES (1) 1/2" ID (1) 3/4" ID  
STANDARD LENGTH: 10ft  
OTHER LENGTHS AVAILABLE

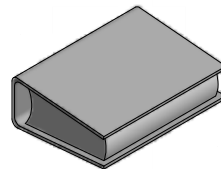
1/2" AEROQUIP

3/4" AEROQUIP

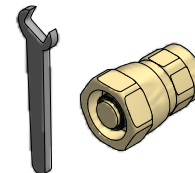


AL200 COLD HEAD

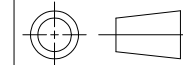
MANUAL



TOOL KIT



THIRD ANGLE PROJECTION



**CRYOMECH, INC**

113 FALSO DRIVE SYRACUSE, N.Y. 13211  
Tel: (315)455-2555 Fax:(315)455-2544

ALL DIMENSIONS ARE IN INCHES  
TOLERANCES: FRACTIONS ±1/32 DECIMALS XXX=±.005 XX=±.01 X=±.1  
ANGLES ±.5° ALLOVER FINISH 25 Ra  
CONCENTRICITY .005 TOTAL INDICATOR RUN OUT  
PERPENDICULAR ±.002 (UNLESS OTHERWISE SPECIFIED)

NAME: AL200-CP2800 CRYOREFRIGERATOR

DWG #: AL200-CP2800 SYSTEM

SHT 1 OF 1

MATERIAL: AS STATE

DWN BY: BMR DATE: 06JAN09

SCALE: TO FIT

DWG SIZE: A

1ST CHK: AO DATE: 14JAN09

2ND CHK: BZ DATE: 14JAN09

CUST:

BTA:

ECN	ZONE	REV	DESCRIPTION	DATE
3072	A2	A	ADDED AIR COOLED COMPRESSOR	08MAY13
1741	-	-	INITIAL RELEASE	06JAN09