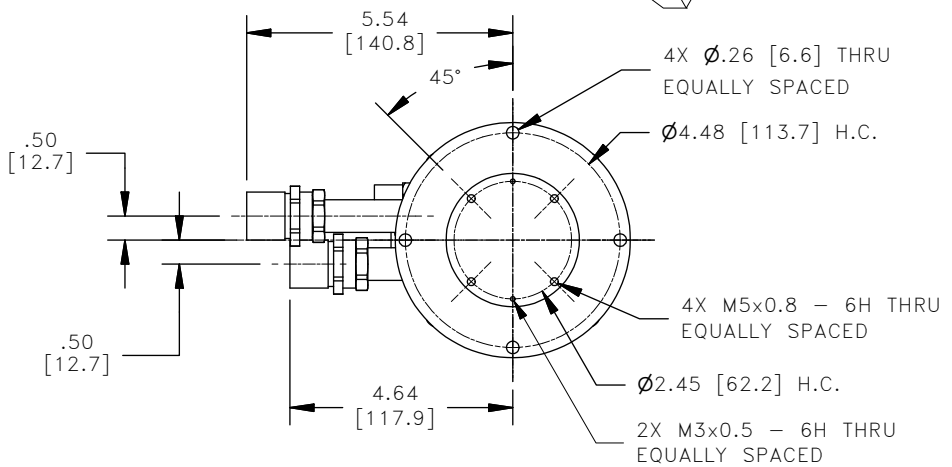
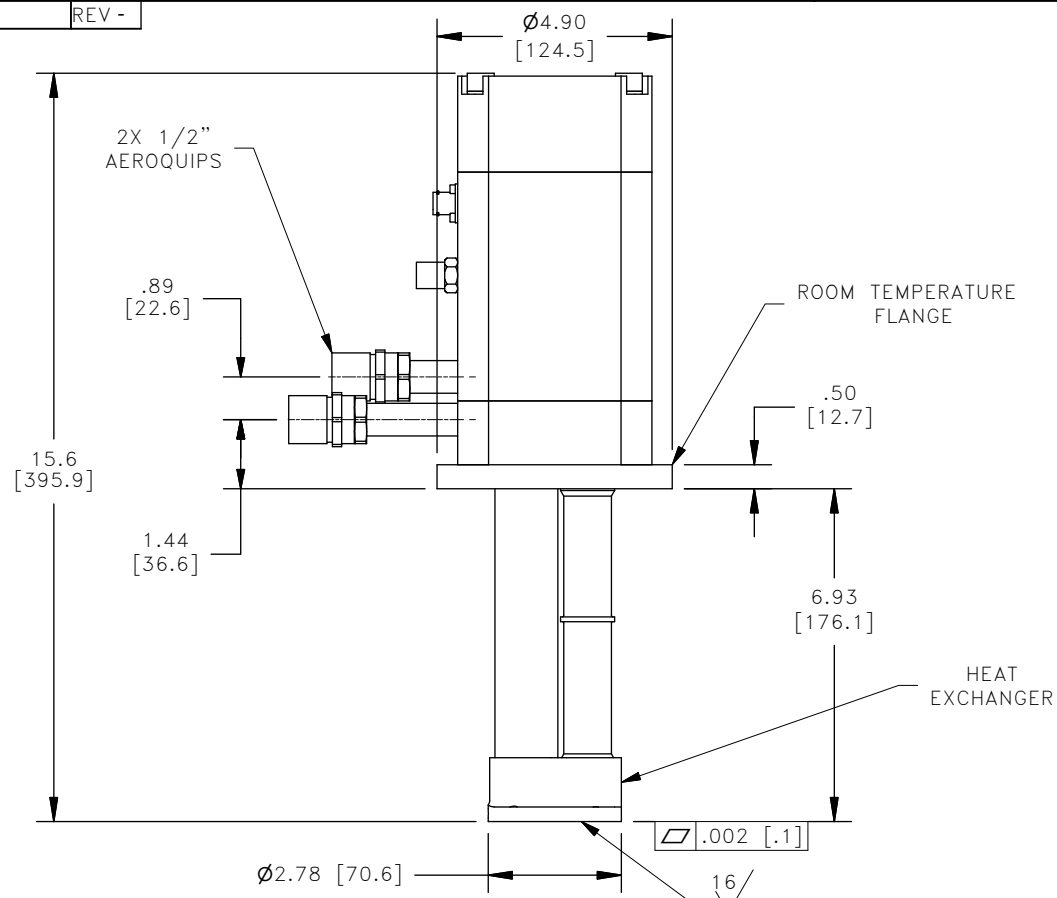
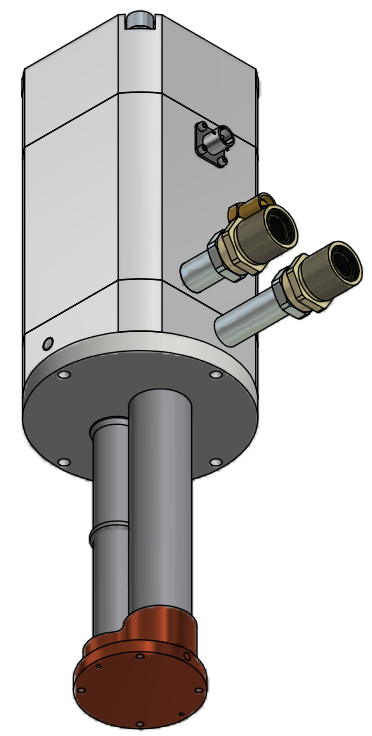


CH3C030 REV -



1
 ALL INFORMATION CONTAINED IN THIS DOCUMENT SHOULD BE USED FOR REFERENCE PURPOSES ONLY & ARE SUBJECT TO CHANGE WITHOUT PRIOR NOTIFICATION. ALSO, THIS DOCUMENT IS CONSIDERED PROPRIETARY & THE SOLE PROPERTY OF CRYOMECH, INC. & SHOULD NOT BE REPRODUCED IN ANY MANNER WITHOUT PRIOR WRITTEN APPROVAL.



2
 SPECIAL NOTE: COLDHEAD MUST BE OPERATED COLD END DOWN

THIRD ANGLE PROJECTION

CRYOMECH, INC
 113 FALSO DRIVE SYRACUSE, N.Y. 13211
 Tel: (315)455-2555 Fax:(315)455-2544

ALL DIMENSIONS ARE IN INCHES
 TOLERANCES: FRACTIONS $\pm 1/32$ DECIMALS XXX= ± 0.05 XX= ± 0.1 X= ± 1
 ANGLES $\pm 5^\circ$ ALLOVER FINISH 25 Ra
 CONCENTRICITY .005 TOTAL INDICATOR RUN OUT
 PERPENDICULAR ± 0.02 (UNLESS OTHERWISE SPECIFIED)

NAME: PT30 COLDHEAD OUTLINE
 DWG #: CH3C030 SHT 1 OF 1
 MATERIAL: 103-208
 DWN BY: BMR DATE: 08AUG11 SCALE: 1:4 DWG SIZE: A
 1ST CHK: PB DATE: 08NOV11 2ND CHK: BZ DATE: 08NOV11
 CUST: - BTA: BTA-CH30030

ECN	ZONE	REV	DESCRIPTION	DATE
2660	-	-	INITIAL RELEASE	08AUG11

2

1