

ALL INFORMATION CONTAINED IN THIS DOCUMENT SHOULD BE USED FOR REFERENCE PURPOSES ONLY & ARE SUBJECT TO CHANGE WITHOUT PRIOR NOTIFICATION. ALSO, THIS DOCUMENT IS CONSIDERED PROPRIETARY & THE SOLE PROPERTY OF CRYOMECH, INC. & SHOULD NOT BE REPRODUCED IN ANY MANNER WITHOUT PRIOR WRITTEN APPROVAL.



CP820 COMPRESSOR PACKAGE (AIR COOLED)

1/2" AEROQUIP

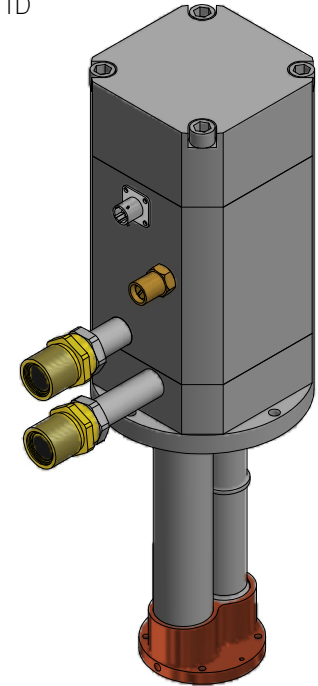
1/2" AEROQUIP

(2) HELIUM FLEX LINES 1/2" ID  
STANDARD LENGTH: 10ft  
LONGER LENGTHS AVAILABLE

1/2" AEROQUIP

1/2" AEROQUIP

COLD HEAD MOTOR CORD (SAME LENGTH AS FLEX LINES)

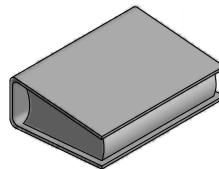


PT30 COLD HEAD

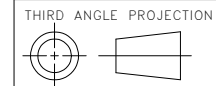
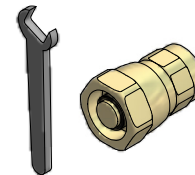


CP820 COMPRESSOR PACKAGE (WATER COOLED)

MANUAL



TOOL KIT



**CRYOMECH, INC**

113 FALSO DRIVE SYRACUSE, N.Y. 13211  
Tel: (315)455-2555 Fax:(315)455-2544

ALL DIMENSIONS ARE IN INCHES  
TOLERANCES: FRACTIONS ±1/32 DECIMALS .XXX=±.005 XX =±.01 X=±.1  
ANGLES ±.5° ALLOVER FINISH 25 Ra  
CONCENTRICITY .005 TOTAL INDICATOR RUN OUT  
PERPENDICULAR ±.002 (UNLESS OTHERWISE SPECIFIED)

NAME: PT30 SYSTEM DRAWING			
DWG #: PT30	SHT 1 OF 1		
MATERIAL: AS STATED			
DWN BY: BMR	DATE: 26SEP06	SCALE: TO FIT	DWG SIZE: A
1ST CHK: AO	DATE: 11JUL07	2ND CHK: NLO	DATE: 11JUL07
CUST: -		BTA: -	

1419	-	-	INITIAL RELEASE	03JUL07
ECN	ZONE	REV	DESCRIPTION	DATE