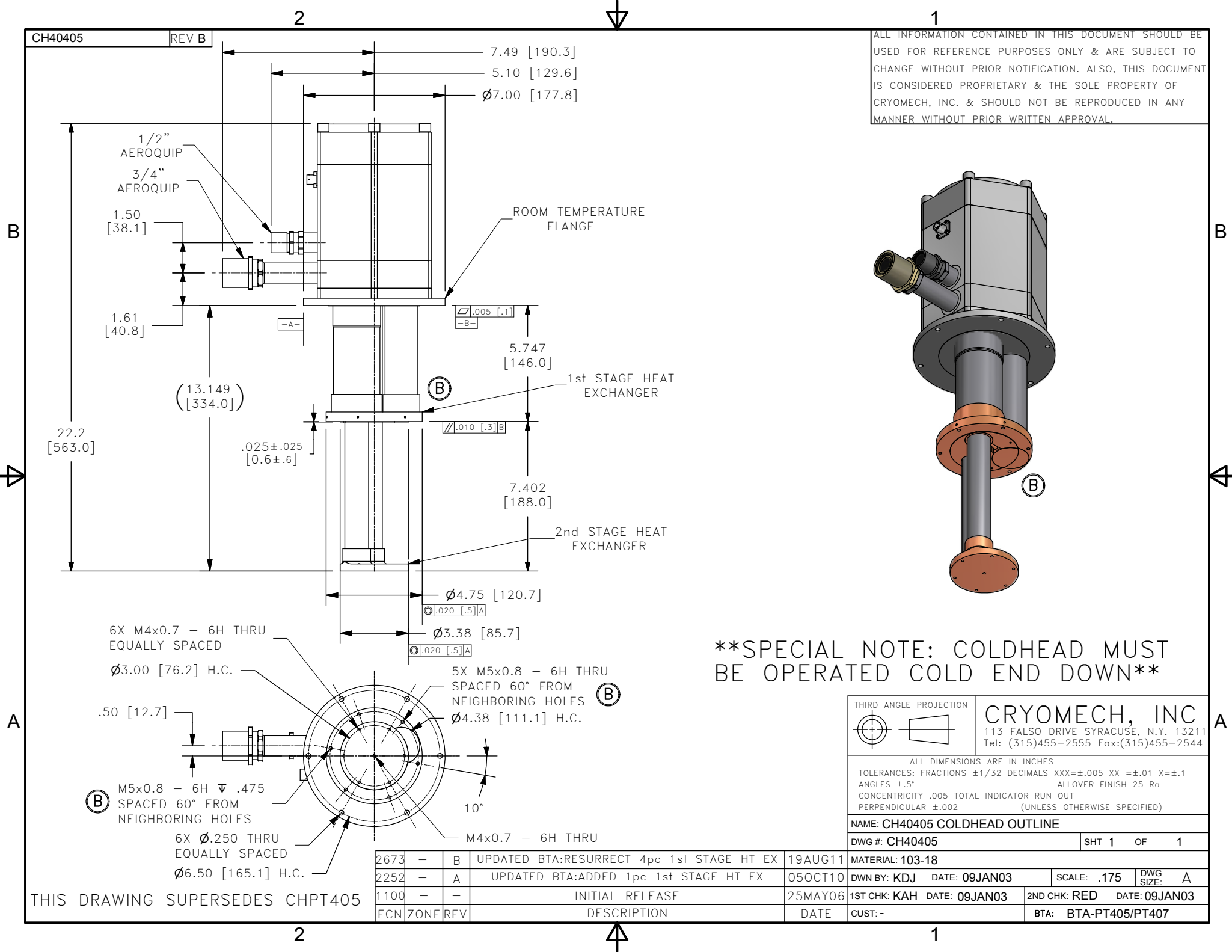


CH40405 REV B

ALL INFORMATION CONTAINED IN THIS DOCUMENT SHOULD BE USED FOR REFERENCE PURPOSES ONLY & ARE SUBJECT TO CHANGE WITHOUT PRIOR NOTIFICATION. ALSO, THIS DOCUMENT IS CONSIDERED PROPRIETARY & THE SOLE PROPERTY OF CRYOMECH, INC. & SHOULD NOT BE REPRODUCED IN ANY MANNER WITHOUT PRIOR WRITTEN APPROVAL.



**\*\*SPECIAL NOTE: COLDHEAD MUST BE OPERATED COLD END DOWN\*\***

THIRD ANGLE PROJECTION		CRYOMECH, INC	
		113 FALSO DRIVE SYRACUSE, N.Y. 13211 Tel: (315)455-2555 Fax:(315)455-2544	
ALL DIMENSIONS ARE IN INCHES TOLERANCES: FRACTIONS ±1/32 DECIMALS XXX=±.005 XX =±.01 X=±.1 ANGLES ±.5° ALLOVER FINISH 25 Ra CONCENTRICITY .005 TOTAL INDICATOR RUN OUT PERPENDICULAR ±.002 (UNLESS OTHERWISE SPECIFIED)			
NAME: CH40405 COLDHEAD OUTLINE			
DWG #: CH40405		SHT 1 OF 1	
MATERIAL: 103-18			
DWN BY: KDJ		DATE: 09JAN03	SCALE: .175
1ST CHK: KAH		DATE: 09JAN03	DWG SIZE: A
2ND CHK: RED		DATE: 09JAN03	
CUST: -		BTA: BTA-PT405/PT407	

ECN	ZONE	REV	DESCRIPTION	DATE
2673	-	B	UPDATED BTA:RESURRECT 4pc 1st STAGE HT EX	19AUG11
2252	-	A	UPDATED BTA:ADDED 1pc 1st STAGE HT EX	05OCT10
1100	-	-	INITIAL RELEASE	25MAY06

THIS DRAWING SUPERSEDES CHPT405

A

A

2

1