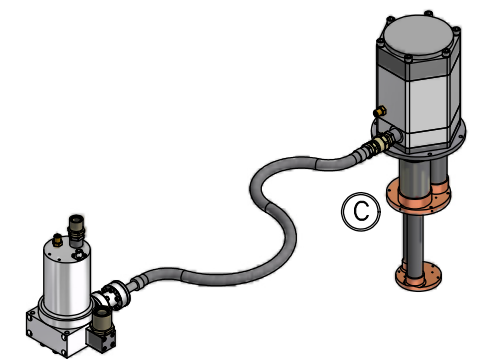
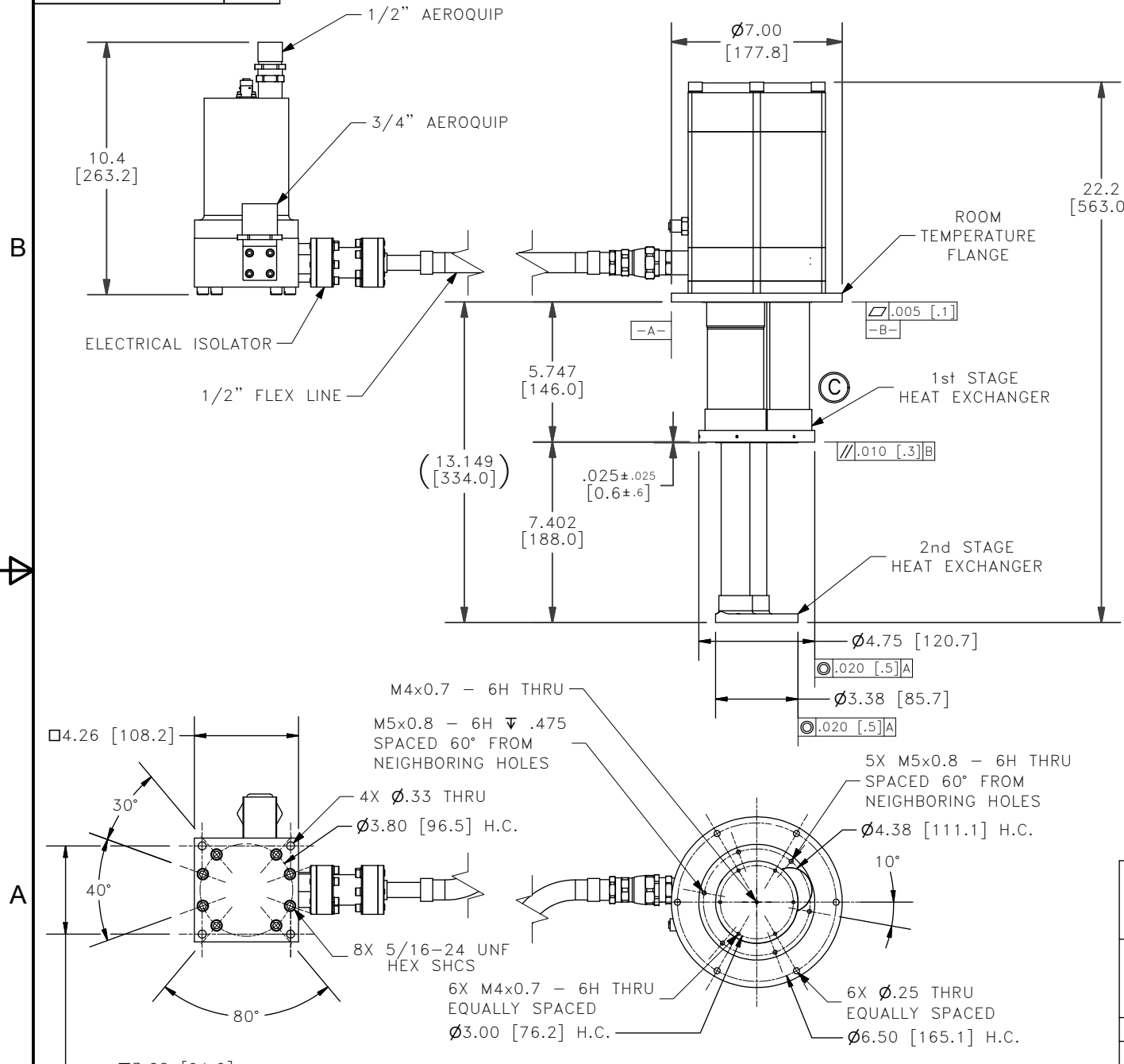


CH60407 REV C

ALL INFORMATION CONTAINED IN THIS DOCUMENT SHOULD BE USED FOR REFERENCE PURPOSES ONLY & ARE SUBJECT TO CHANGE WITHOUT PRIOR NOTIFICATION. ALSO, THIS DOCUMENT IS CONSIDERED PROPRIETARY & THE SOLE PROPERTY OF CRYOMECH, INC. & SHOULD NOT BE REPRODUCED IN ANY MANNER WITHOUT PRIOR WRITTEN APPROVAL.



****SPECIAL NOTE: COLDHEAD MUST BE OPERATED COLD END DOWN.****

THIRD ANGLE PROJECTION		CRYOMECH, INC	
		113 FALSO DRIVE SYRACUSE, N.Y. 13211 Tel: (315)455-2555 Fax:(315)455-2544	
ALL DIMENSIONS ARE IN INCHES TOLERANCES: FRACTIONS ±1/64 DECIMALS XXX=±.005 XX =±.01 ANGLES ±.5° ALLOVER FINISH 25 Ra CONCENTRICITY .005 TOTAL INDICATOR RUN OUT PERPENDICULAR ±.002 (UNLESS OTHERWISE SPECIFIED)			
NAME: PT407-RM COLDHEAD OUTLINE			
DWG #: CH60407		SHT 1 OF 1	
MATERIAL: 103-59			
DWN BY: MW		DATE: 18DEC06	SCALE: .150
1ST CHK: BZ		DATE: 18JAN07	2ND CHK: AO
DATE: 12SEP08		DATE: 18JAN07	
CUST:		BTA: BTA-CH40405/407	

ECN	ZONE	REV	DESCRIPTION	DATE
2673	-	C	RESURRECT 4pc. HEAT EXCHANGER	29AUG11
2286	-	B	UPDATED BTA W/ 1pc 1st STAGE HT EX	09NOV10
1669	-	A	ADDED DIMS. TO R.M.	12SEP08

2

1