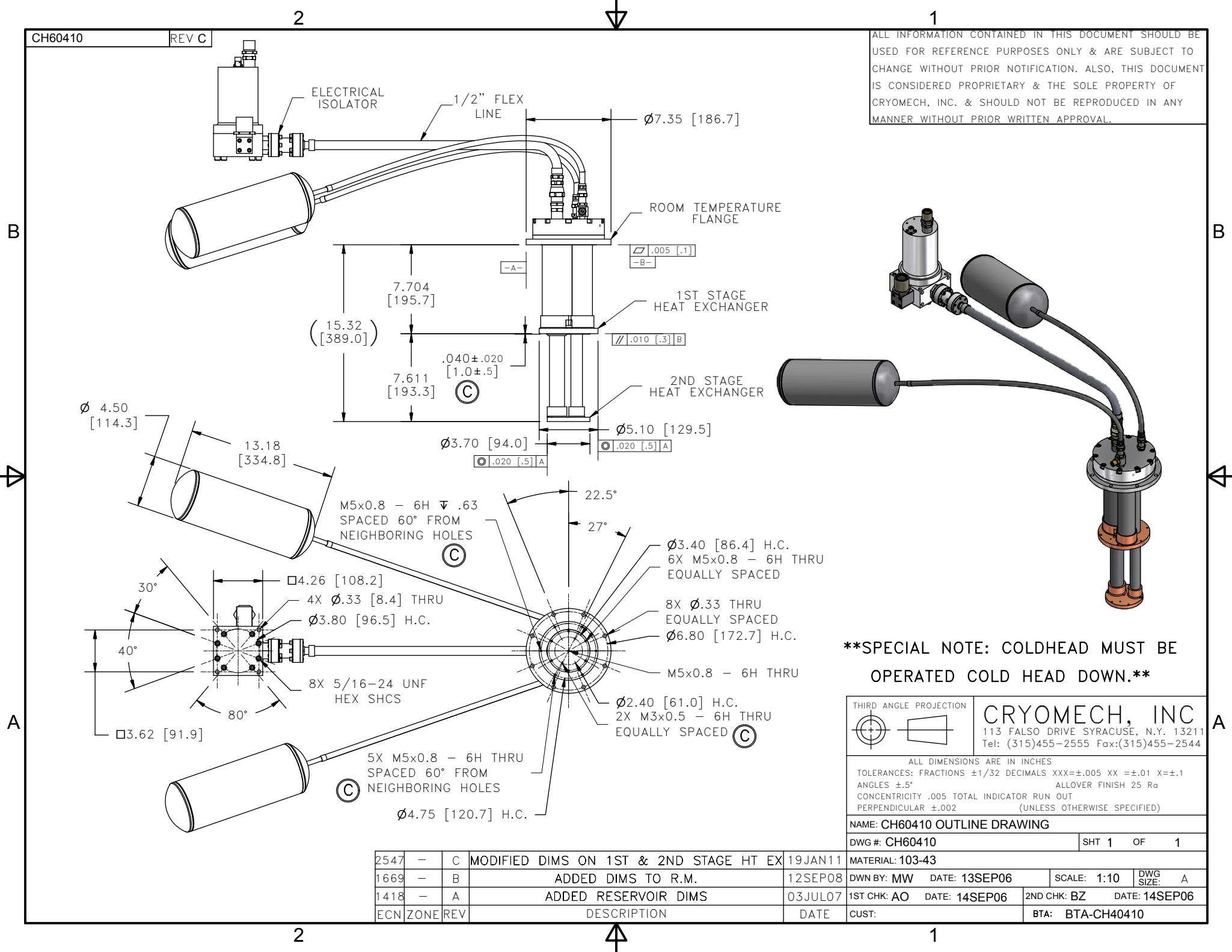


ALL INFORMATION CONTAINED IN THIS DOCUMENT SHOULD BE USED FOR REFERENCE PURPOSES ONLY & ARE SUBJECT TO CHANGE WITHOUT PRIOR NOTIFICATION. ALSO, THIS DOCUMENT IS CONSIDERED PROPRIETARY & THE SOLE PROPERTY OF CRYOMECH, INC. & SHOULD NOT BE REPRODUCED IN ANY MANNER WITHOUT PRIOR WRITTEN APPROVAL.



****SPECIAL NOTE: COLDHEAD MUST BE OPERATED COLD HEAD DOWN.****

THIRD ANGLE PROJECTION		CRYOMECH, INC 113 FALSO DRIVE SYRACUSE, N.Y. 13211 Tel: (315)455-2555 Fax:(315)455-2544
ALL DIMENSIONS ARE IN INCHES TOLERANCES: FRACTIONS ±1/32 DECIMALS XXX=±.005 XX =±.01 X=±.1 ANGLES ±.5° ALLOVER FINISH 25 Ra CONCENTRICITY .005 TOTAL INDICATOR RUN OUT PERPENDICULAR ±.002 (UNLESS OTHERWISE SPECIFIED)		

NAME: CH60410 OUTLINE DRAWING
 DWG #: CH60410 SHT 1 OF 1
 MATERIAL: 103-43

ECN	ZONE	REV	DESCRIPTION	DATE	CUST:
2547	-	C	MODIFIED DIMS ON 1ST & 2ND STAGE HT EX	19JAN11	
1669	-	B	ADDED DIMS TO R.M.	12SEP08	
1418	-	A	ADDED RESERVOIR DIMS	03JUL07	
					BTA: BTA-CH40410