

ALL INFORMATION CONTAINED IN THIS DOCUMENT SHOULD BE USED FOR REFERENCE PURPOSES ONLY & ARE SUBJECT TO CHANGE WITHOUT PRIOR NOTIFICATION. ALSO, THIS DOCUMENT IS CONSIDERED PROPRIETARY & THE SOLE PROPERTY OF CRYOMECH, INC. & SHOULD NOT BE REPRODUCED IN ANY MANNER WITHOUT PRIOR WRITTEN APPROVAL.

B

B

A

A

A

A

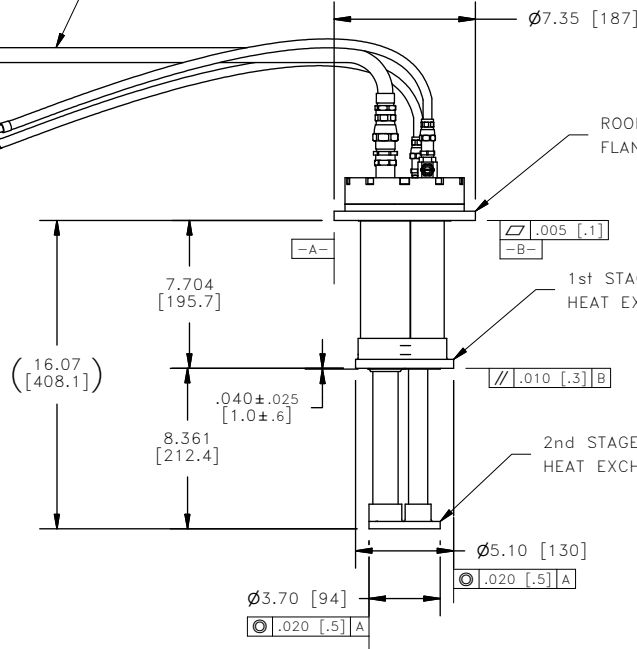
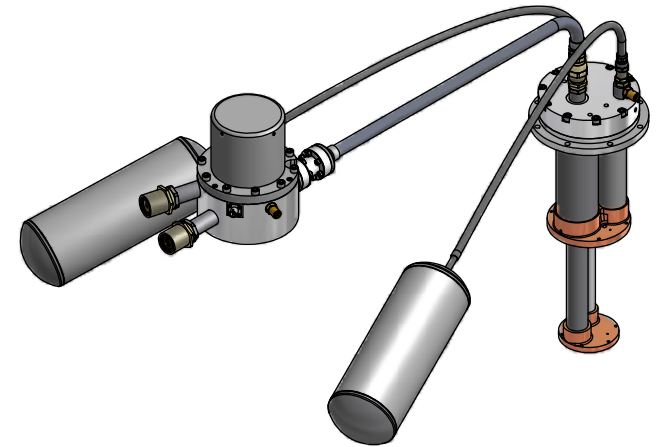
2X 3/4" AEROQUIPS

1/2" FLEX LINE

ROOM TEMPERATURE FLANGE

1st STAGE HEAT EXCHANGER

2nd STAGE HEAT EXCHANGER



$\varnothing 4.50$ [114.3]

13.18 [334.8]

5X M5x0.8 - 6H THRU SPACED 60° FROM NEIGHBORING HOLE $\varnothing 4.75$ [121] H.C.

10X 5/16-24 UNF - 2B $\nabla .50$ EQUALLY SPACED

$\varnothing 5.73$ [145.4] H.C.

8X $\varnothing .33$ THRU EQUALLY SPACED

$\varnothing 6.80$ [173] H.C.

M5x0.8 - 6H $\nabla .625$ 60° FROM NEIGHBORING HOLES

6X M5x0.8 - 6H THRU EQUALLY SPACED

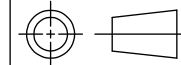
$\varnothing 3.40$ [86] H.C.

M5x0.8 - 6H THRU

22.5°

**** SPECIAL NOTE: COLD HEAD MUST BE OPERATED COLD END DOWN ****

THIRD ANGLE PROJECTION



CRYOMECH, INC

113 FALSO DRIVE SYRACUSE, N.Y. 13211
Tel: (315)455-2555 Fax:(315)455-2544

ALL DIMENSIONS ARE IN INCHES
TOLERANCES: FRACTIONS $\pm 1/32$ DECIMALS $XXX = \pm .005$ $XX = \pm .01$
ANGLES $\pm .5^\circ$ ALLOVER FINISH 25 Ra
CONCENTRICITY .005 TOTAL INDICATOR RUN OUT
PERPENDICULAR $\pm .002$ (UNLESS OTHERWISE SPECIFIED)

NAME: PT415-RM OUTLINE DRAWING

DWG #: CH60415

SHT 1 OF 1

MATERIAL: 103-60

DWN BY: AO DATE: 01JUN06

SCALE: 1:10

DWG SIZE: A

1ST CHK: CW DATE: 03JAN07

2ND CHK: MW DATE: 03JAN07

CUST:

BTA: BTA-CH40415

ECN	ZONE	REV	DESCRIPTION	DATE
2238	-	B	ADDED 1pc HT EX TO BTA	08AUG10
1418	-	A	ADDED RESERVOIR DIMS	03JUL07
1326	-	-	INITIAL RELEASE	03JAN07

2

1

1