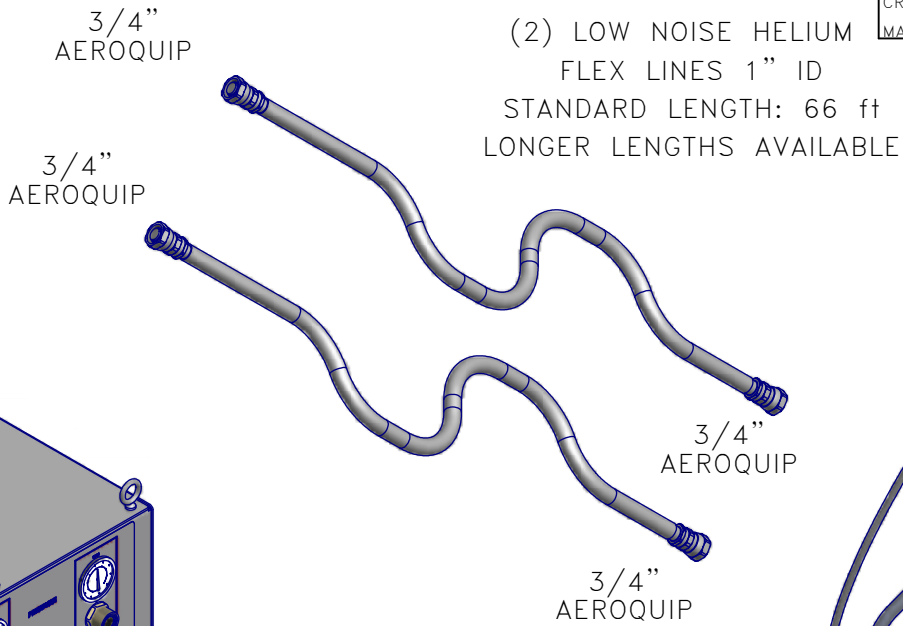
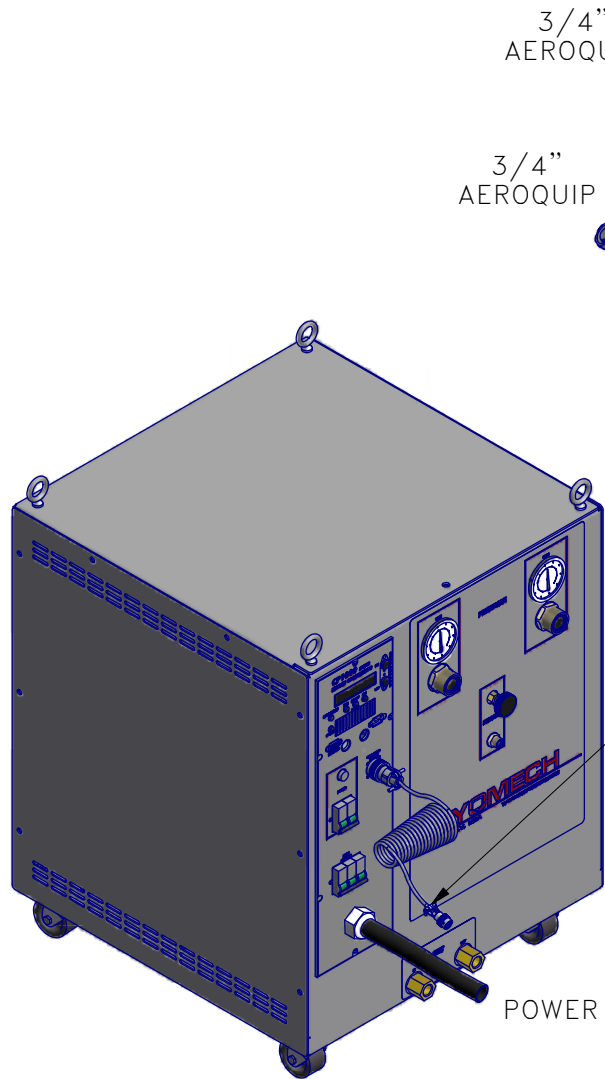
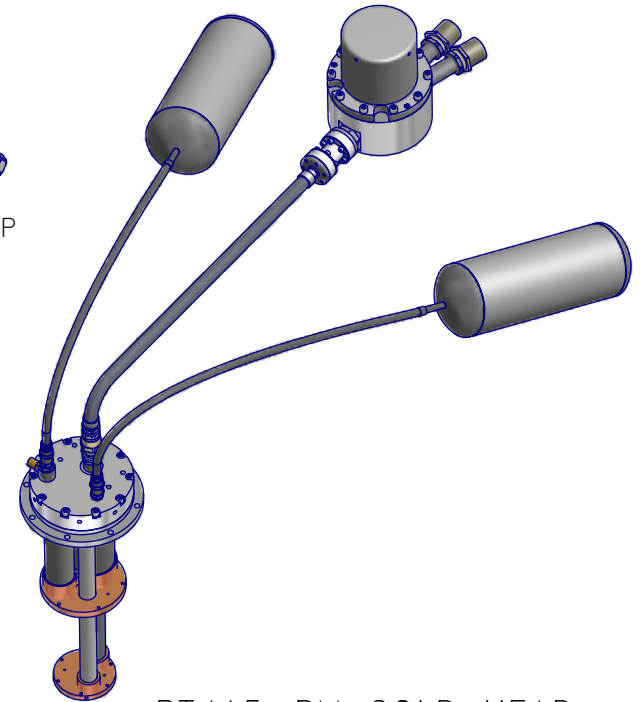


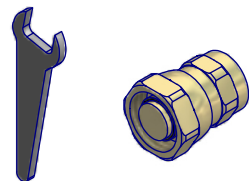
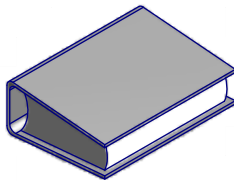
ALL INFORMATION CONTAINED IN THIS DOCUMENT SHOULD BE USED FOR REFERENCE PURPOSES ONLY & ARE SUBJECT TO CHANGE WITHOUT PRIOR NOTIFICATION. ALSO, THIS DOCUMENT IS CONSIDERED PROPRIETARY & THE SOLE PROPERTY OF CRYOMECH, INC. & SHOULD NOT BE REPRODUCED IN ANY MANNER WITHOUT PRIOR WRITTEN APPROVAL.



COLD HEAD MOTOR CORD (SAME LENGTH AS FLEX LINES)



POWER CORD



THIRD ANGLE PROJECTION		<b>CRYOMECH, INC</b> 113 FALSO DRIVE SYRACUSE, N.Y. 13211 Tel: (315)455-2555 Fax:(315)455-2544
------------------------	--	--

ALL DIMENSIONS ARE IN INCHES  
TOLERANCES: FRACTIONS ±1/32 DECIMALS XXX=±.005 XX =±.01  
ANGLES ±.5° ALLOVER FINISH 25 R<sub>a</sub>  
CONCENTRICITY .005 TOTAL INDICATOR RUN OUT  
PERPENDICULAR ±.002 (UNLESS OTHERWISE SPECIFIED)

NAME: PT415-RM CP1110 CRYOREFRIGERATOR			
DWG #: PT415-RM CP1110 SYSTEM		SHT 1 OF 1	
MATERIAL: AS STATED			
DWN BY: BMR		DATE: 13JUN11	SCALE: TO FIT
1ST CHK: BS		DATE: 17JUN11	2ND CHK: PB
DATE: 17JUN11		DATE: 17JUN11	
CUST:		BTA:	

2630	-	-	INITIAL RELEASE	13JUN11
ECN	ZONE	REV	DESCRIPTION	DATE