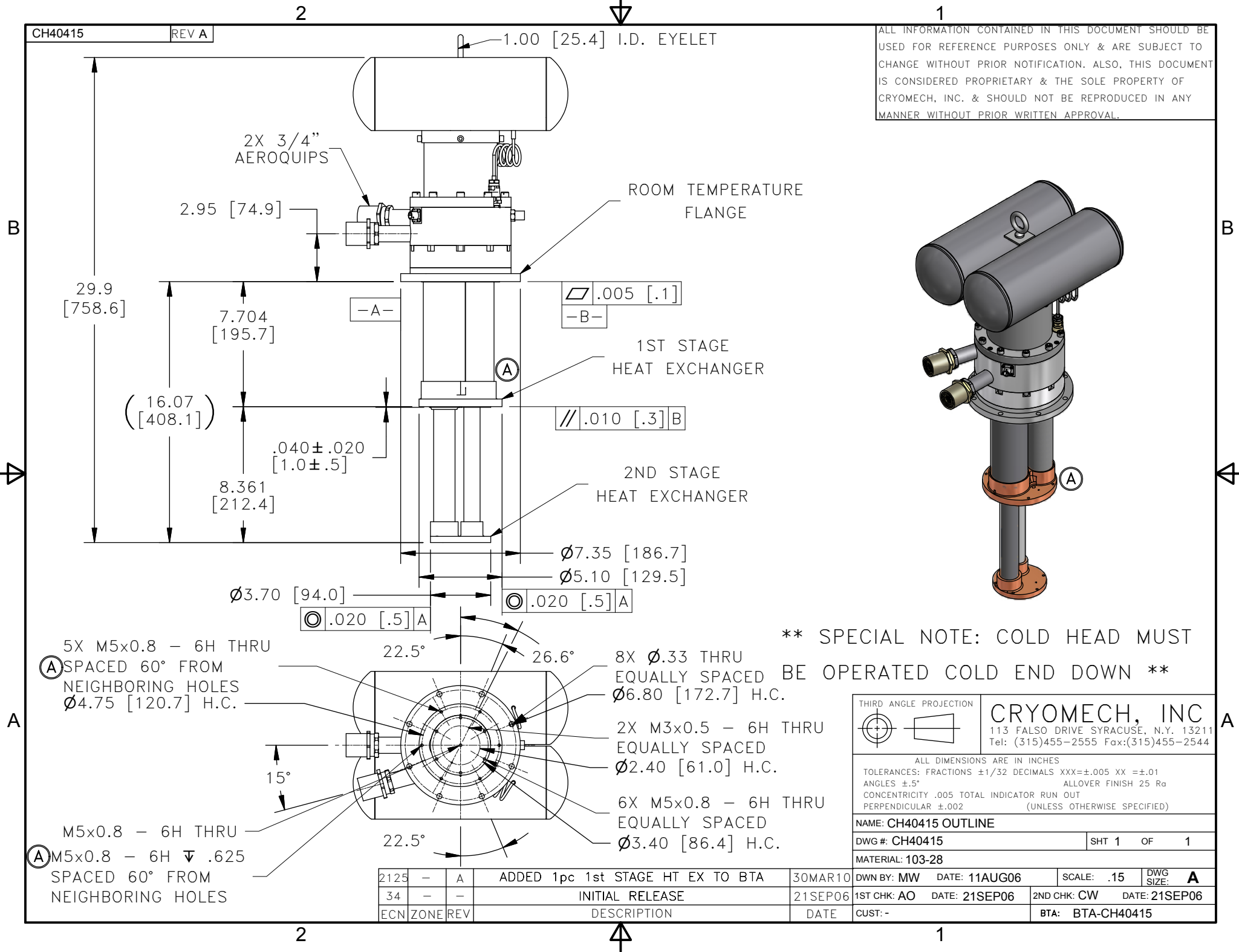


ALL INFORMATION CONTAINED IN THIS DOCUMENT SHOULD BE USED FOR REFERENCE PURPOSES ONLY & ARE SUBJECT TO CHANGE WITHOUT PRIOR NOTIFICATION. ALSO, THIS DOCUMENT IS CONSIDERED PROPRIETARY & THE SOLE PROPERTY OF CRYOMECH, INC. & SHOULD NOT BE REPRODUCED IN ANY MANNER WITHOUT PRIOR WRITTEN APPROVAL.



**** SPECIAL NOTE: COLD HEAD MUST BE OPERATED COLD END DOWN ****

THIRD ANGLE PROJECTION		CRYOMECH, INC 113 FALSO DRIVE SYRACUSE, N.Y. 13211 Tel: (315)455-2555 Fax:(315)455-2544
ALL DIMENSIONS ARE IN INCHES TOLERANCES: FRACTIONS ±1/32 DECIMALS XXX=±.005 XX =±.01 ANGLES ±.5° ALLOVER FINISH 25 R _a CONCENTRICITY .005 TOTAL INDICATOR RUN OUT PERPENDICULAR ±.002 (UNLESS OTHERWISE SPECIFIED)		

NAME: CH40415 OUTLINE
 DWG #: CH40415 SHT 1 OF 1
 MATERIAL: 103-28

2125	-	A	ADDED 1pc 1st STAGE HT EX TO BTA	30MAR10	DWN BY: MW	DATE: 11AUG06	SCALE: .15	DWG SIZE: A
34	-	-	INITIAL RELEASE	21SEP06	1ST CHK: AO	DATE: 21SEP06	2ND CHK: CW	DATE: 21SEP06
ECN	ZONE	REV	DESCRIPTION	DATE	CUST: -	BTA: BTA-CH40415		