

CH40815 REV -

2

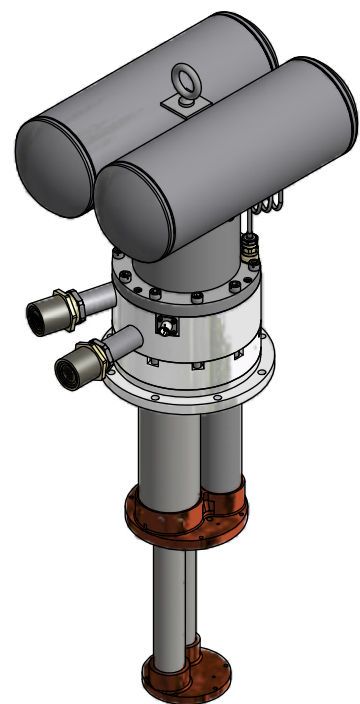
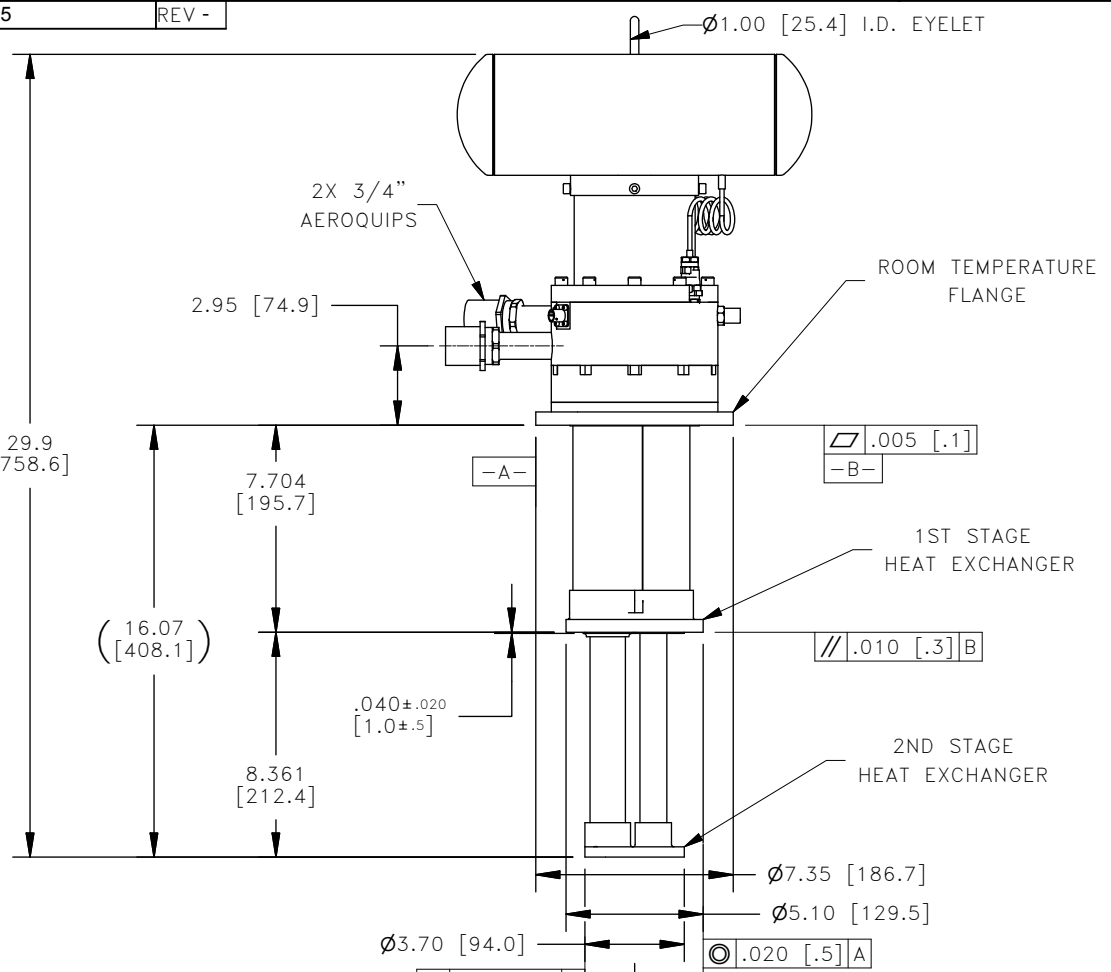


1

ALL INFORMATION CONTAINED IN THIS DOCUMENT SHOULD BE USED FOR REFERENCE PURPOSES ONLY & ARE SUBJECT TO CHANGE WITHOUT PRIOR NOTIFICATION. ALSO, THIS DOCUMENT IS CONSIDERED PROPRIETARY & THE SOLE PROPERTY OF CRYOMECH, INC. & SHOULD NOT BE REPRODUCED IN ANY MANNER WITHOUT PRIOR WRITTEN APPROVAL.

B

B



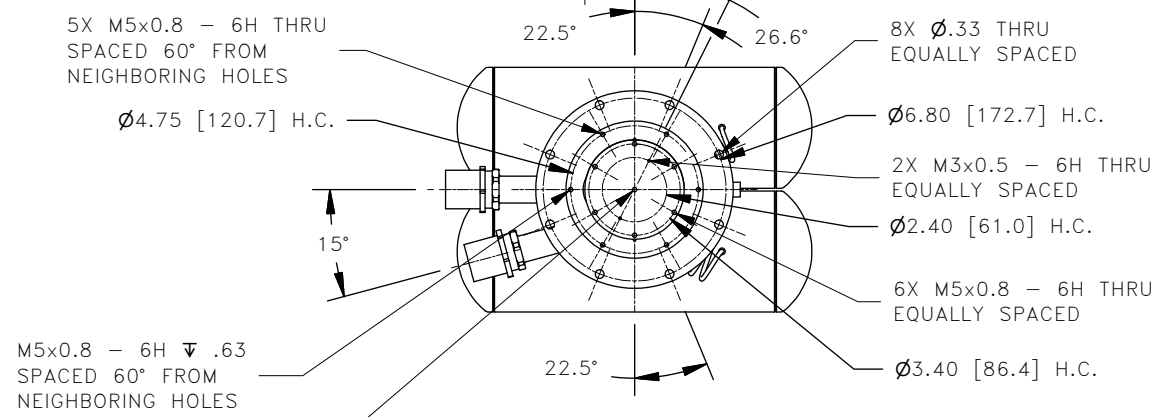
A

A

**\*\* SPECIAL NOTE: COLD HEAD MUST BE OPERATED COLD END DOWN \*\***

A

A



THIRD ANGLE PROJECTION		<b>CRYOMECH, INC</b> 113 FALSO DRIVE SYRACUSE, N.Y. 13211 Tel: (315)455-2555 Fax:(315)455-2544

ALL DIMENSIONS ARE IN INCHES  
 TOLERANCES: FRACTIONS ±1/32 DECIMALS XXX=±.005 XX=±.01 X=±.1  
 ANGLES ±.5° ALLOVER FINISH 25 Ra  
 CONCENTRICITY .005 TOTAL INDICATOR RUN OUT  
 PERPENDICULAR ±.002 (UNLESS OTHERWISE SPECIFIED)

NAME: CH40815 COLDHEAD OUTLINE			
DWG #: CH40815		SHT 1 OF 1	
MATERIAL: 103-254			
DWN BY: ADF	DATE: 26OCT12	SCALE: .15X	DWG SIZE: A
1ST CHK: PB	DATE: 06NOV12	2ND CHK: NO	DATE: 07NOV12
CUST: -		BTA: BTA-CH40415	

ECN	ZONE	REV	DESCRIPTION	DATE
2948	-	-	INITIAL RELEASE	26OCT12

2



1