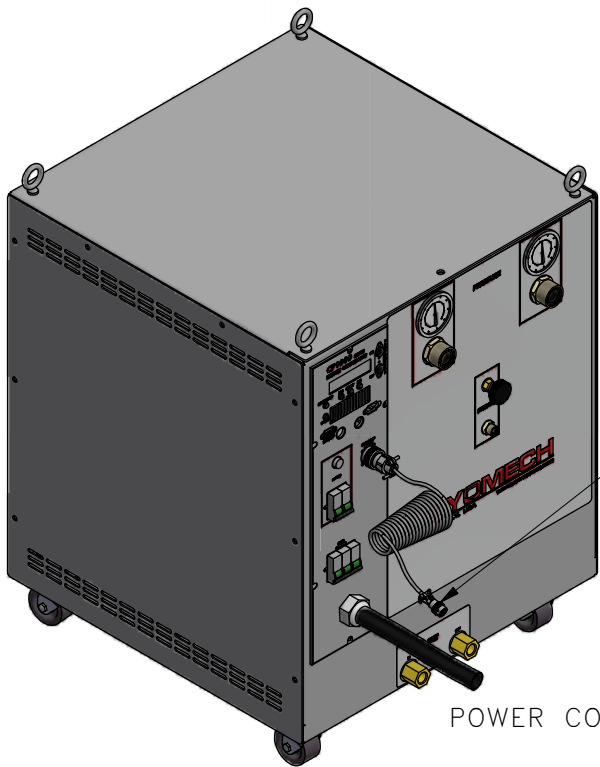


ALL INFORMATION CONTAINED IN THIS DOCUMENT SHOULD BE USED FOR REFERENCE PURPOSES ONLY & ARE SUBJECT TO CHANGE WITHOUT PRIOR NOTIFICATION. ALSO, THIS DOCUMENT IS CONSIDERED PROPRIETARY & THE SOLE PROPERTY OF CRYOMECH, INC. & SHOULD NOT BE REPRODUCED IN ANY MANNER WITHOUT PRIOR WRITTEN APPROVAL.



3/4" AEROQUIP

3/4" AEROQUIP

(2) LOW NOISE HELIUM FLEX LINES 1" ID  
STANDARD LENGTH: 66 ft  
LONGER LENGTHS AVAILABLE

3/4" AEROQUIP

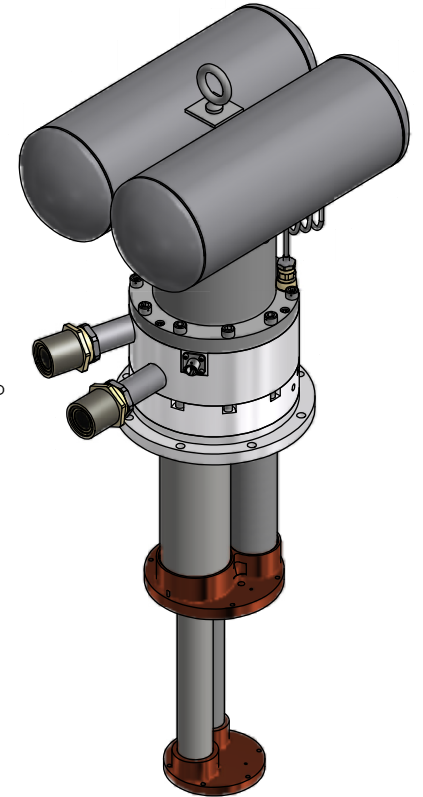
3/4" AEROQUIP

COLD HEAD MOTOR CORD  
(SAME LENGTH AS FLEX LINES)

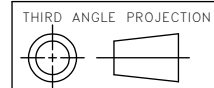
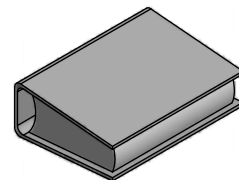
POWER CORD

MANUAL

TOOL KIT



CP1110 COMPRESSOR PACKAGE  
(WATER COOLED)



**CRYOMECH, INC**  
113 FALSO DRIVE SYRACUSE, N.Y. 13211  
Tel: (315)455-2555 Fax:(315)455-2544

ALL DIMENSIONS ARE IN INCHES  
TOLERANCES: FRACTIONS ±1/32 DECIMALS .XXX=±.005 XX=±.01 X=±.1  
ANGLES ±.5° ALLOVER FINISH 25 Ra  
CONCENTRICITY .005 TOTAL INDICATOR RUN OUT  
PERPENDICULAR ±.002 (UNLESS OTHERWISE SPECIFIED)

NAME: PT815 CP1110 CRYOREFRIGERATOR

DWG #: PT815 CP1110 SYSTEM SHT 1 OF 1

MATERIAL: AS STATED

DWN BY: KP DATE: 05JUN14 SCALE: TO FIT DWG SIZE: A

1ST CHK: NLO DATE: 05JUN14 2ND CHK: AO DATE: 05JUN14

CUST: BTA:

3352	-	-	INITIAL RELEASE	05JUN14
ECN	ZONE	REV	DESCRIPTION	DATE