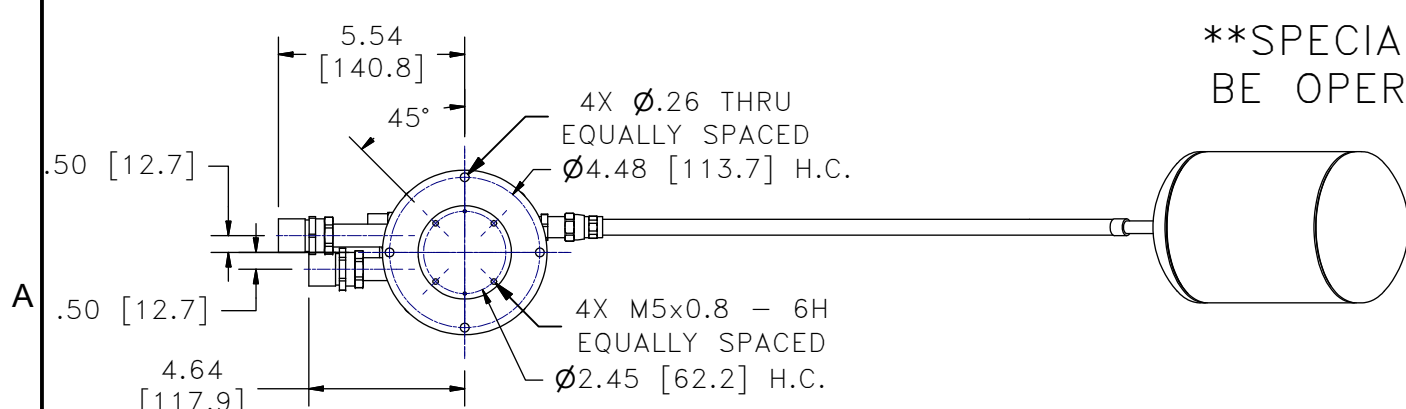
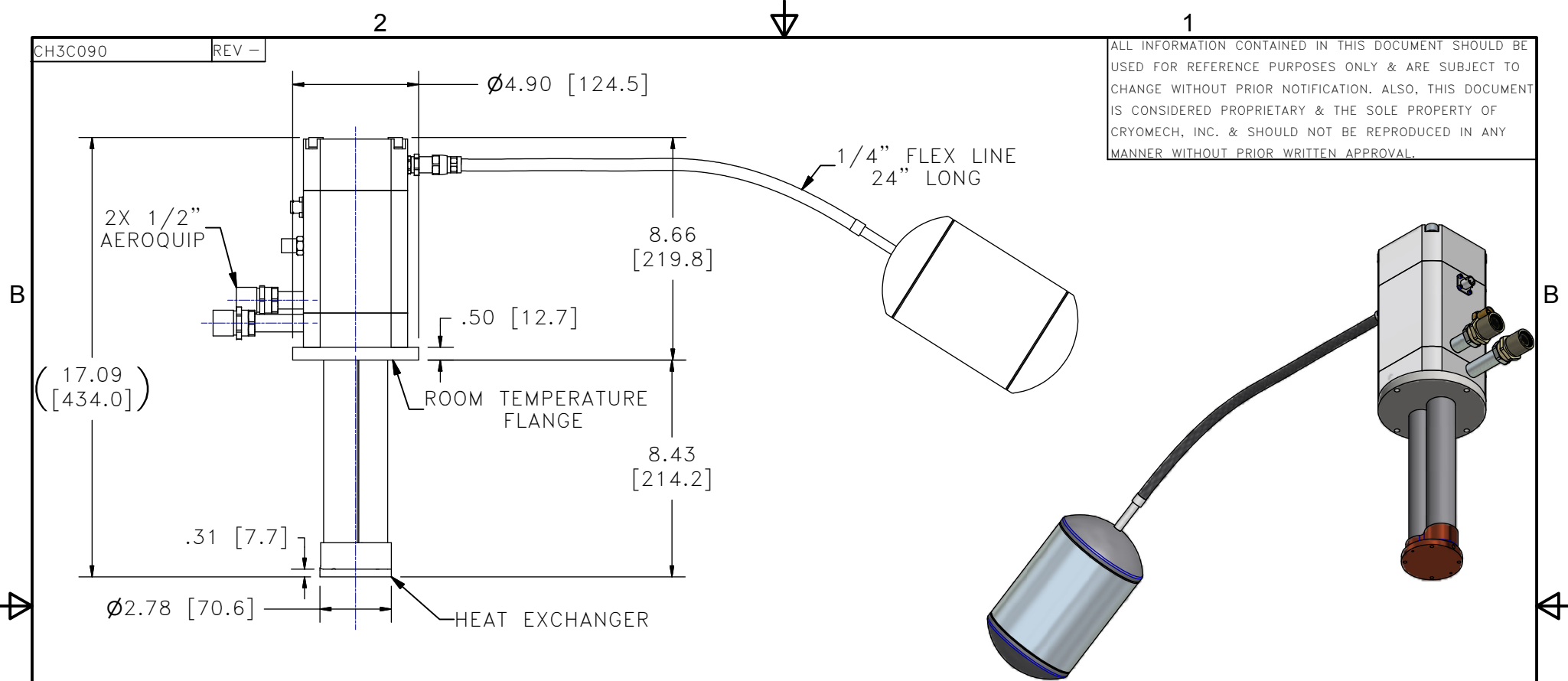
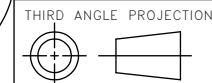


CH3C090 REV -

ALL INFORMATION CONTAINED IN THIS DOCUMENT SHOULD BE USED FOR REFERENCE PURPOSES ONLY & ARE SUBJECT TO CHANGE WITHOUT PRIOR NOTIFICATION. ALSO, THIS DOCUMENT IS CONSIDERED PROPRIETARY & THE SOLE PROPERTY OF CRYOMECH, INC. & SHOULD NOT BE REPRODUCED IN ANY MANNER WITHOUT PRIOR WRITTEN APPROVAL.



**\*\*SPECIAL NOTE: COLDHEAD MUST BE OPERATED COLD END DOWN\*\***



**CRYOMECH, INC**  
 113 FALSO DRIVE SYRACUSE, N.Y. 13211  
 Tel: (315)455-2555 Fax:(315)455-2544

ALL DIMENSIONS ARE IN INCHES  
 TOLERANCES: FRACTIONS ±1/32 DECIMALS XXX=±.005 XX =±.01  
 ANGLES ±.5° ALLOVER FINISH 25 Ra  
 CONCENTRICITY .005 TOTAL INDICATOR RUN OUT  
 PERPENDICULAR ±.002 (UNLESS OTHERWISE SPECIFIED)

NAME: PT90 COLDHEAD OUTLINE			
DWG #: CH3C090		SHT 1 OF 1	
MATERIAL: 103-74			
DWN BY: AO	DATE: 05JUL07	SCALE: 1:4	DWG SIZE: <b>A</b>
1ST CHK: CW		DATE: 05JUL07	2ND CHK: BZ
DATE: 05JUL07		DATE: 05JUL07	
CUST:		BTA: BTA-CH30090	

1419	-	-	INITIAL RELEASE	05JUL07
ECN	ZONE	REV	DESCRIPTION	DATE