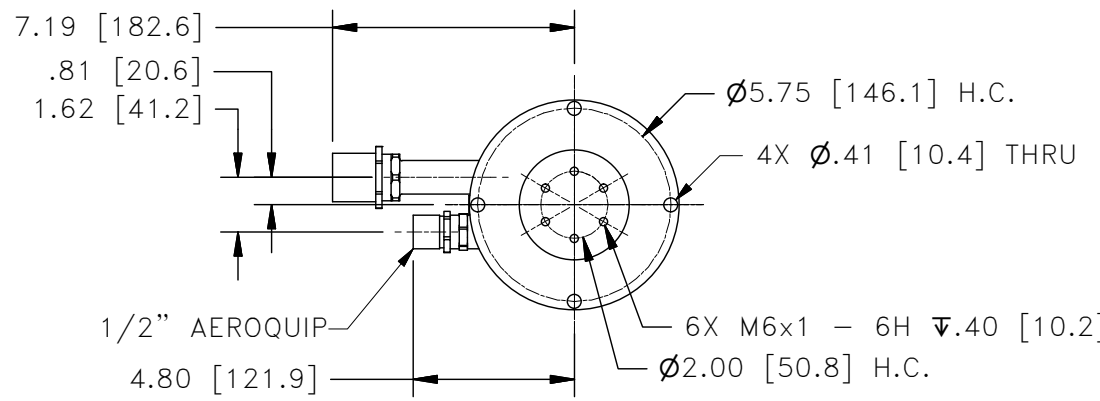
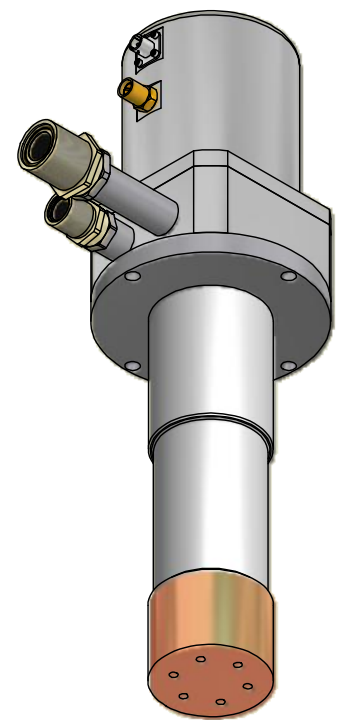
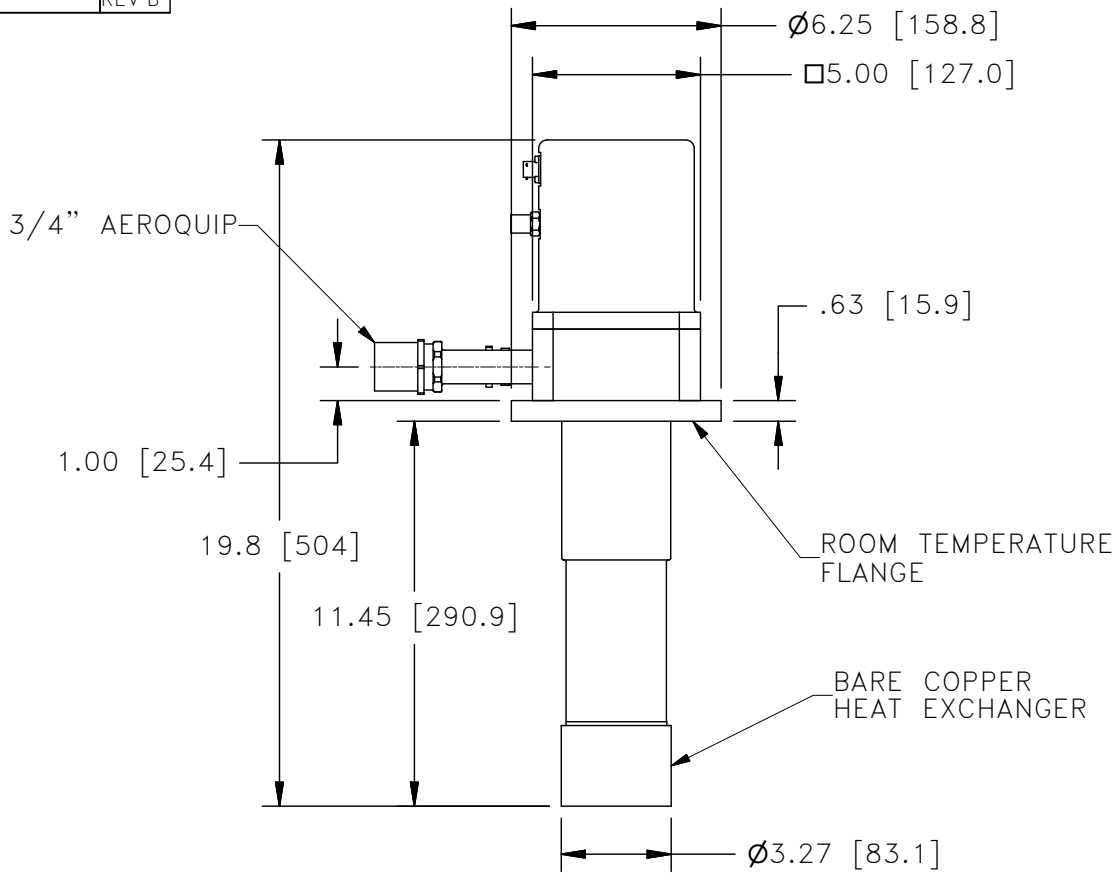


ALL INFORMATION CONTAINED IN THIS DOCUMENT SHOULD BE USED FOR REFERENCE PURPOSES ONLY & ARE SUBJECT TO CHANGE WITHOUT PRIOR NOTIFICATION. ALSO, THIS DOCUMENT IS CONSIDERED PROPRIETARY & THE SOLE PROPERTY OF CRYOMECH, INC. & SHOULD NOT BE REPRODUCED IN ANY MANNER WITHOUT PRIOR WRITTEN APPROVAL.



THIRD ANGLE PROJECTION

CRYOMECH, INC
 113 FALSO DRIVE SYRACUSE, N.Y. 13211
 Tel: (315)455-2555 Fax:(315)455-2544

ALL DIMENSIONS ARE IN INCHES
 TOLERANCES: FRACTIONS $\pm 1/32$ DECIMALS XXX= $\pm .005$ XX= $\pm .01$
 ANGLES $\pm .5^\circ$ ALLOVER FINISH 25 Ra
 CONCENTRICITY .005 TOTAL INDICATOR RUN OUT
 PERPENDICULAR $\pm .002$ (UNLESS OTHERWISE SPECIFIED)

NAME: AL200 COLDHEAD OUTLINE			
DWG #: CH1A200		SHT 1 OF 1	
MATERIAL: 103-08			
DWN BY: BMR	DATE: 13NOV07	SCALE: .175	DWG SIZE: A
1ST CHK: AO	DATE: 27NOV07	2ND CHK: NLO	DATE: 27NOV07
CUST:		BTA: BTA-CH1A200	

ECN	ZONE	REV	DESCRIPTION	DATE
2511	-	B	REMOVED PLATING	10AUG10
1900	A2	A	CHANGED NICKEL PLATING SPEC.	06JUL09
1499	-	-	INITIAL RELEASE	13NOV07