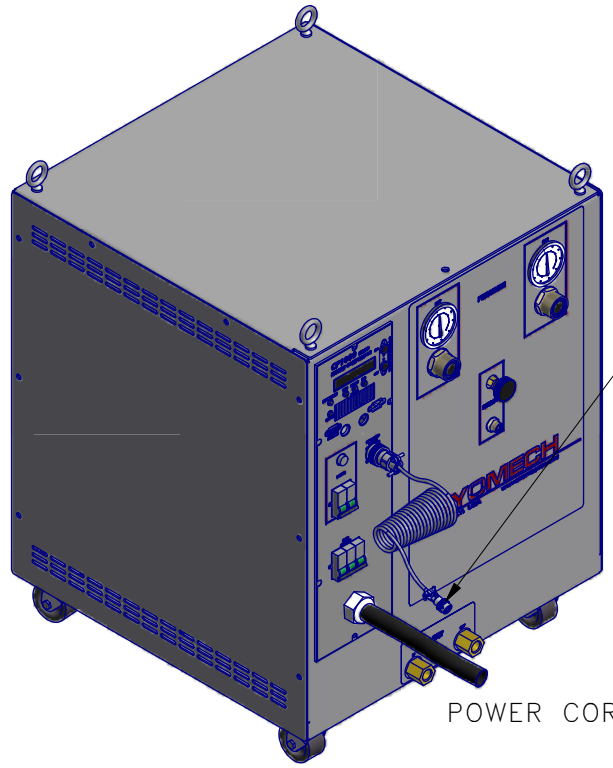


ALL INFORMATION CONTAINED IN THIS DOCUMENT SHOULD BE USED FOR REFERENCE PURPOSES ONLY & ARE SUBJECT TO CHANGE WITHOUT PRIOR NOTIFICATION. ALSO, THIS DOCUMENT IS CONSIDERED PROPRIETARY & THE SOLE PROPERTY OF CRYOMECH, INC. & SHOULD NOT BE REPRODUCED IN ANY MANNER WITHOUT PRIOR WRITTEN APPROVAL.



3/4" AEROQUIP

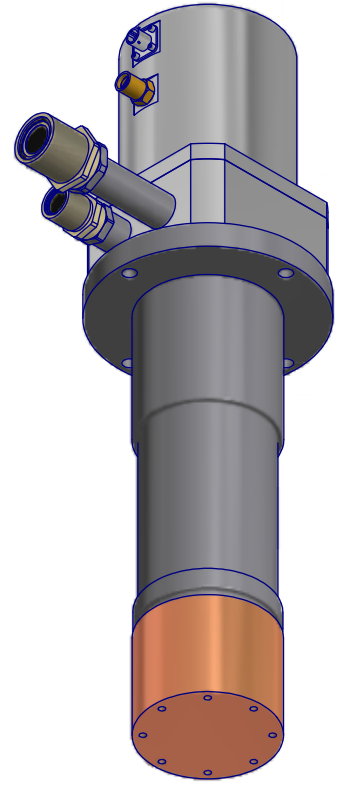
3/4" AEROQUIP

(2) FLEX LINES: (1) 1" ID LOW NOISE  
(1) 3/4" ID  
STANDARD LENGTH: 10 ft  
LONGER LENGTHS AVAILABLE

3/4" AEROQUIP

1/2" AEROQUIP

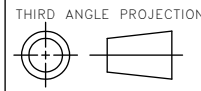
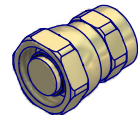
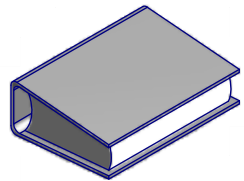
COLD HEAD MOTOR CORD (SAME LENGTH AS FLEX LINES)



POWER CORD

MANUAL

TOOL KIT



**CRYOMECH, INC**  
113 FALSO DRIVE SYRACUSE, N.Y. 13211  
Tel: (315)455-2555 Fax:(315)455-2544

ALL DIMENSIONS ARE IN INCHES  
TOLERANCES: FRACTIONS ±1/64 DECIMALS XXX=±.005 XX =±.01  
ANGLES ±.5° ALLOVER FINISH 25 R<sub>a</sub>  
CONCENTRICITY .005 TOTAL INDICATOR RUN OUT  
PERPENDICULAR ±.002 (UNLESS OTHERWISE SPECIFIED)

NAME: AL325 CP1110 CRYOREFRIGERATOR			
DWG #: AL325 CP1110 SYSTEM		SHT 1 OF 1	
MATERIAL: AS STATED			
DWN BY: BMR	DATE: 13JUN11	SCALE: TO FIT	DWG SIZE: <b>A</b>
1ST CHK: BS	DATE: 17JUN11	2ND CHK: PB	DATE: 17JUN11
CUST: -			

2630	-	-	INITIAL RELEASE	13JUN11
ECN	ZONE	REV	DESCRIPTION	DATE