

ALL INFORMATION CONTAINED IN THIS DOCUMENT SHOULD BE USED FOR REFERENCE PURPOSES ONLY & ARE SUBJECT TO CHANGE WITHOUT PRIOR NOTIFICATION. ALSO, THIS DOCUMENT IS CONSIDERED PROPRIETARY & THE SOLE PROPERTY OF CRYOMECH, INC. & SHOULD NOT BE REPRODUCED IN ANY MANNER WITHOUT PRIOR WRITTEN APPROVAL.

3/4" AEROQUIP

1.00 [25.4]

21.8 [553.9]

13.31 [338.0]

Ø6.50 [165.1]
5.00 [127.0]

.75 [19.1]

ROOM TEMPERATURE FLANGE

BARE COPPER HEAT EXCHANGER

Ø3.94 [100.0]

7.19 [182.6]

1.62 [41.2]

.81 [20.6]

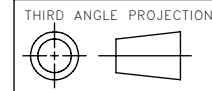
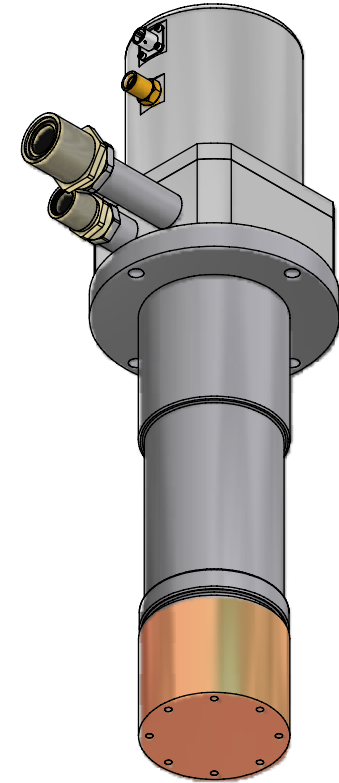
8X M6x1 - 6H ▽ .50

Ø3.38 [85.7]

1/2" AEROQUIP

Ø5.75 [146.1]

4X Ø.41 THRU



CRYOMECH, INC

113 FALSO DRIVE SYRACUSE, N.Y. 13211
Tel: (315)455-2555 Fax:(315)455-2544

ALL DIMENSIONS ARE IN INCHES
TOLERANCES: FRACTIONS ±1/32 DECIMALS XXX=±.005 XX =±.01
ANGLES ±.5° ALLOVER FINISH 25 Ra
CONCENTRICITY .005 TOTAL INDICATOR RUN OUT
PERPENDICULAR ±.002 (UNLESS OTHERWISE SPECIFIED)

NAME: AL330 COLDHEAD OUTLINE

DWG #: CH10330

SHT 1 OF 1

MATERIAL: 103-11

DWN BY: FCJ DATE: 09JAN03

SCALE: .175

DWG SIZE: A

1ST CHK: KAH DATE: -

2ND CHK: RED DATE: -

CUST:

BTA: BTA-CH10330

ECN	ZONE	REV	DESCRIPTION	DATE
2511	-	C	REMOVED PLATING	10AUG10
1900	A2	B	CHANGED NICKEL PLATING SPEC.	06JUL09
1178	-	A	ADDED NOTE	31JUL06

THIS DRAWING SUPERSEDES CHAL330