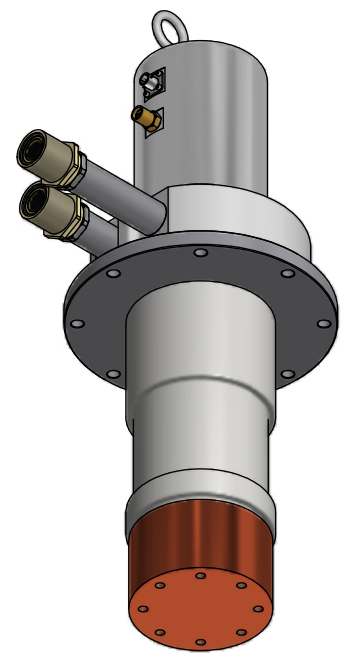
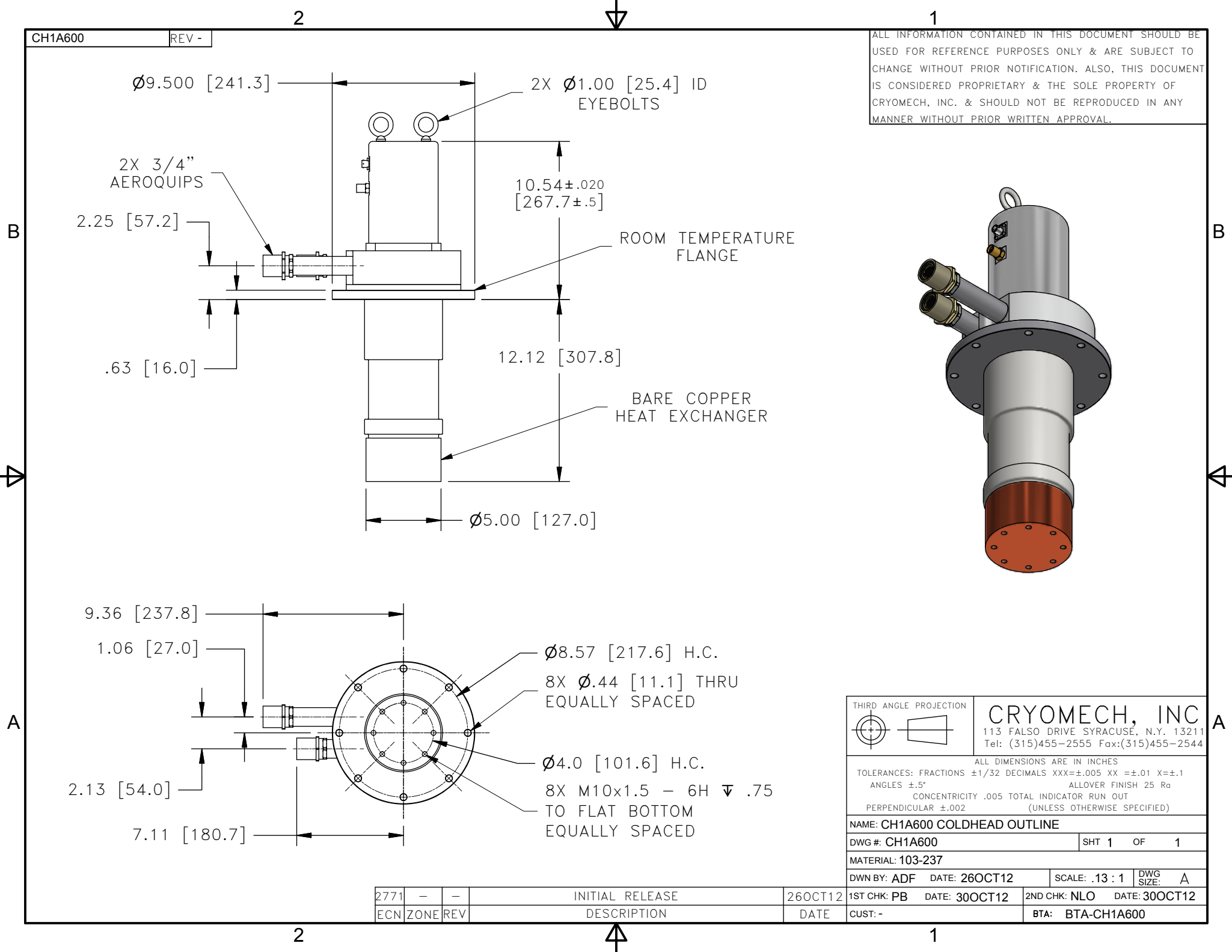


ALL INFORMATION CONTAINED IN THIS DOCUMENT SHOULD BE USED FOR REFERENCE PURPOSES ONLY & ARE SUBJECT TO CHANGE WITHOUT PRIOR NOTIFICATION. ALSO, THIS DOCUMENT IS CONSIDERED PROPRIETARY & THE SOLE PROPERTY OF CRYOMECH, INC. & SHOULD NOT BE REPRODUCED IN ANY MANNER WITHOUT PRIOR WRITTEN APPROVAL.



THIRD ANGLE PROJECTION		<b>CRYOMECH, INC</b>	
		113 FALSO DRIVE SYRACUSE, N.Y. 13211 Tel: (315)455-2555 Fax:(315)455-2544	
ALL DIMENSIONS ARE IN INCHES			
TOLERANCES: FRACTIONS ±1/32 DECIMALS XXX=±.005 XX =±.01 X=±.1			
ANGLES ±.5° ALLOVER FINISH 25 Ra			
CONCENTRICITY .005 TOTAL INDICATOR RUN OUT			
PERPENDICULAR ±.002 (UNLESS OTHERWISE SPECIFIED)			
NAME: CH1A600 COLDHEAD OUTLINE			
DWG #: CH1A600		SHT 1 OF 1	
MATERIAL: 103-237			
DWN BY: ADF		DATE: 26OCT12	SCALE: .13 : 1
1ST CHK: PB		DATE: 30OCT12	DWG SIZE: A
2ND CHK: NLO		DATE: 30OCT12	
CUST: -		BTA: BTA-CH1A600	

2771	-	-	INITIAL RELEASE	26OCT12
ECN	ZONE	REV	DESCRIPTION	DATE