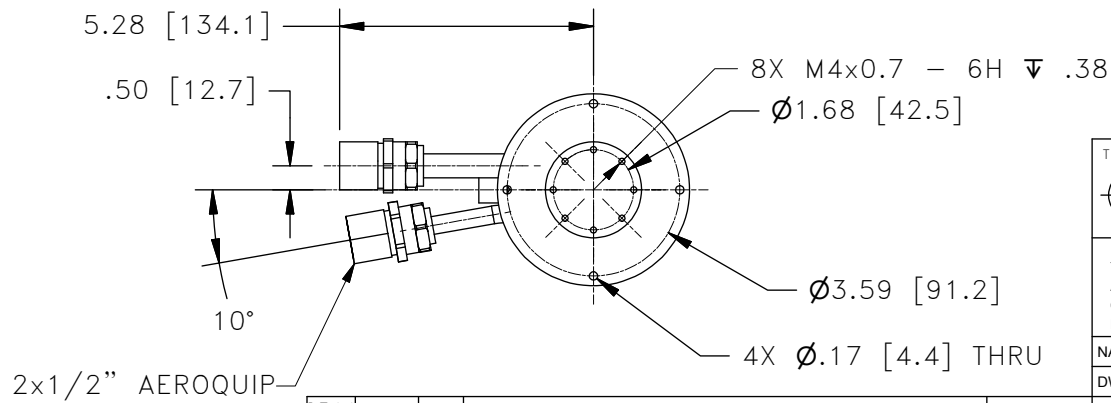
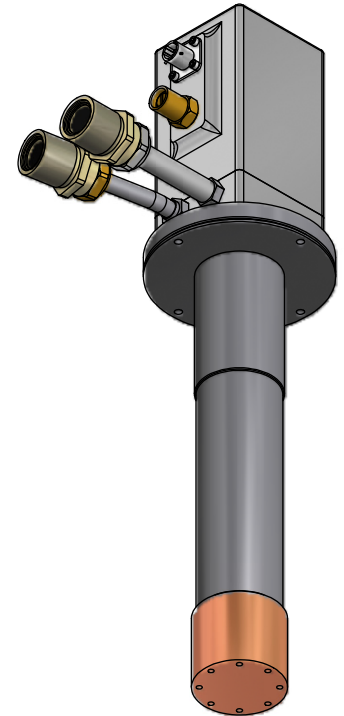
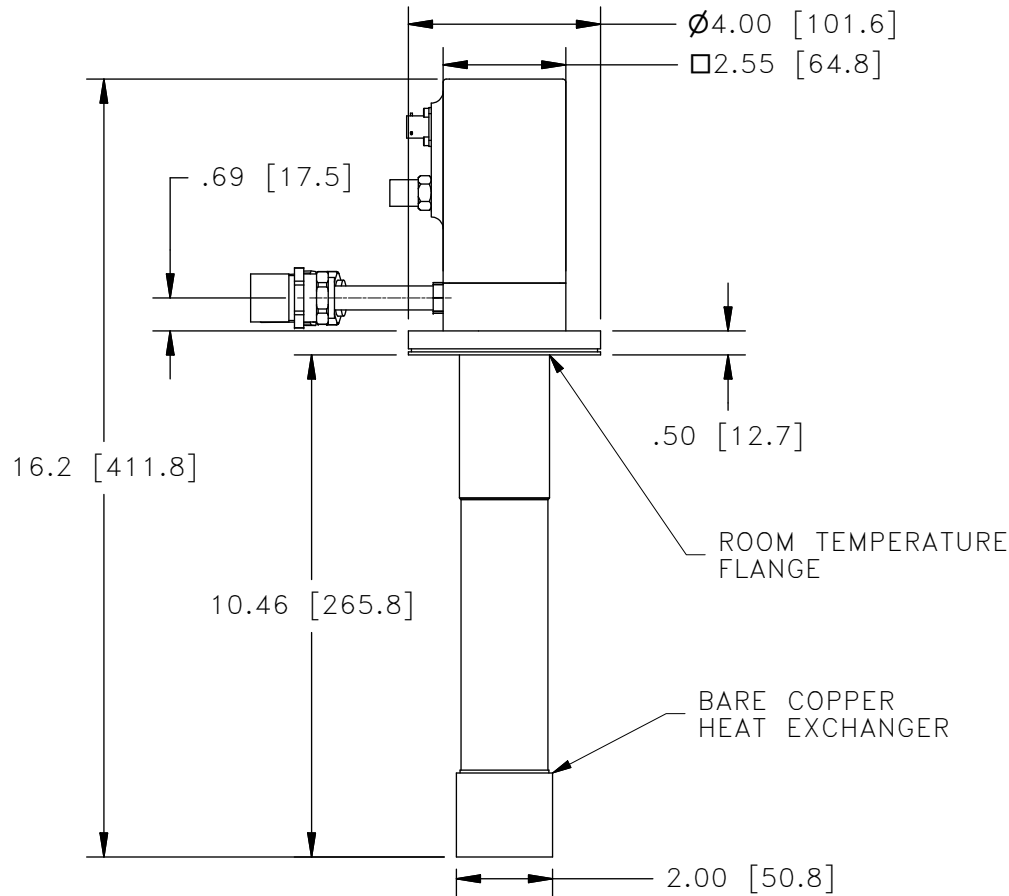


ALL INFORMATION CONTAINED IN THIS DOCUMENT SHOULD BE USED FOR REFERENCE PURPOSES ONLY & ARE SUBJECT TO CHANGE WITHOUT PRIOR NOTIFICATION. ALSO, THIS DOCUMENT IS CONSIDERED PROPRIETARY & THE SOLE PROPERTY OF CRYOMECH, INC. & SHOULD NOT BE REPRODUCED IN ANY MANNER WITHOUT PRIOR WRITTEN APPROVAL.



THIRD ANGLE PROJECTION		CRYOMECH, INC	
		113 FALSO DRIVE SYRACUSE, N.Y. 13211 Tel: (315)455-2555 Fax:(315)455-2544	
ALL DIMENSIONS ARE IN INCHES			
TOLERANCES: FRACTIONS ±1/32 DECIMALS XXX=±.005 XX =±.01			
ANGLES ±.5° ALLOVER FINISH 25 R _a			
CONCENTRICITY .005 TOTAL INDICATOR RUN OUT			
PERPENDICULAR ±.002 (UNLESS OTHERWISE SPECIFIED)			
NAME: AL63 COLDHEAD OUTLINE			
DWG #: CH10063		SHT 1 OF 1	
MATERIAL: 103-06			
DWN BY: BMR		DATE: 26APR04	SCALE: 1:4
1ST CHK: BZ		DATE: 07MAY04	2ND CHK: JC
DATE: 07MAY04		DATE: 07MAY04	
CUST:		BTA: BTA-CH10063	

ECN	ZONE	REV	DESCRIPTION	DATE
2511	-	D	REMOVED PLATING	10AUG10
1900	A2	C	CHANGED NICKEL PLATING SPEC.	09JUL09
1369	-	B	ADDED SAFETY RELIEF VALVE, CHG NAME	09APR07

THIS DRAWING SUPERSEDES CHAL63

