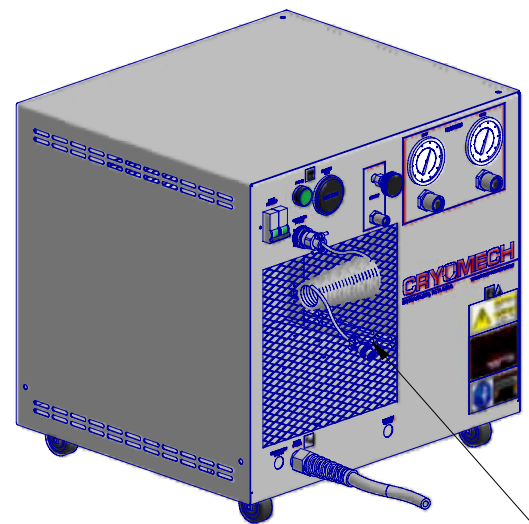
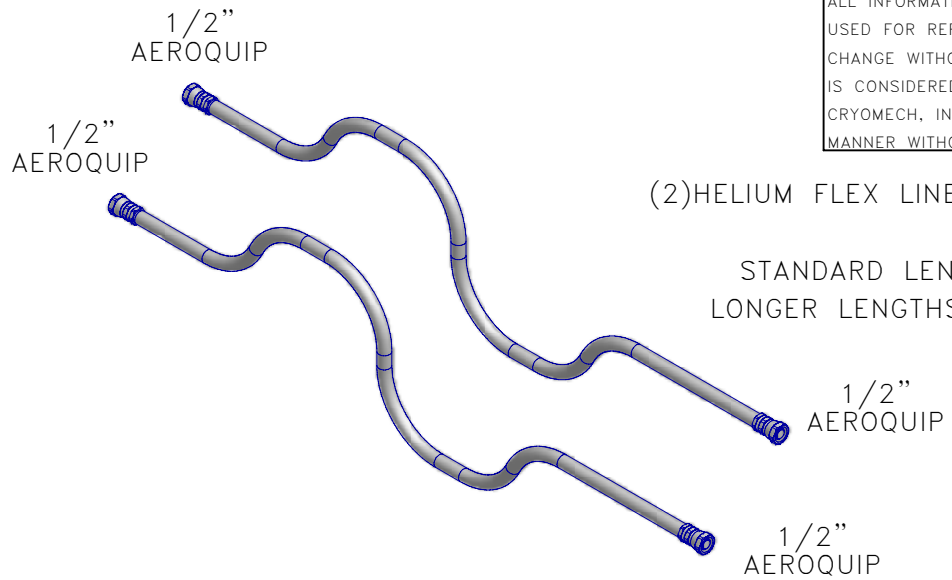


ALL INFORMATION CONTAINED IN THIS DOCUMENT SHOULD BE USED FOR REFERENCE PURPOSES ONLY & ARE SUBJECT TO CHANGE WITHOUT PRIOR NOTIFICATION. ALSO, THIS DOCUMENT IS CONSIDERED PROPRIETARY & THE SOLE PROPERTY OF CRYOMECH, INC. & SHOULD NOT BE REPRODUCED IN ANY MANNER WITHOUT PRIOR WRITTEN APPROVAL.

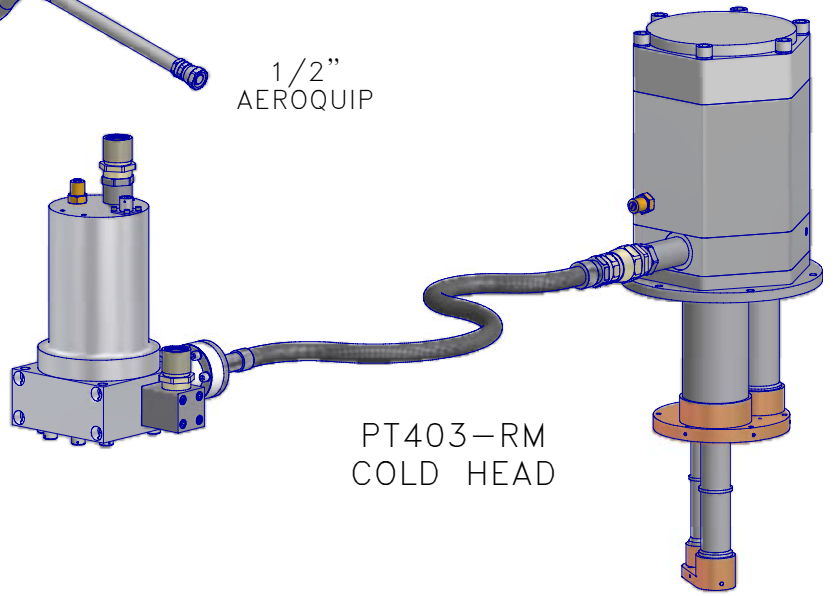


POWER CORD  
CP830 COMPRESSOR PACKAGE  
(AIR COOLED)

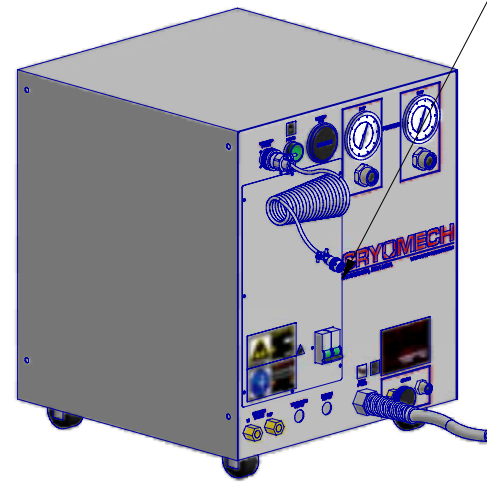


(2) HELIUM FLEX LINES: (1) 1/2" ID  
(1) 3/4" ID  
STANDARD LENGTH: 10ft  
LONGER LENGTHS AVAILABLE

COLD HEAD  
MOTOR CORD  
(SAME LENGTH  
AS FLEX LINES)

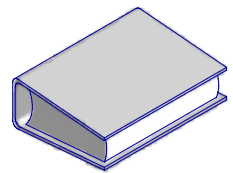


PT403-RM  
COLD HEAD

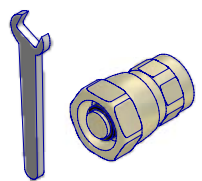


POWER CORD  
CP830 COMPRESSOR PACKAGE  
(WATER COOLED)

MANUAL



TOOL KIT



THIRD ANGLE PROJECTION

**CRYOMECH, INC**  
113 FALSO DRIVE SYRACUSE N.Y. 13211  
Tel: (315)455-2555 Fax: (315)455-2544

ALL DIMENSIONS ARE IN INCHES  
TOLERANCES: FRACTIONS ±1/64 DECIMALS XXX=±.005 XX=±.01 X=±.1  
ANGLES ±.5° ALLOVER FINISH 25 R<sub>a</sub>  
CONCENTRICITY .005 TOTAL INDICATOR RUN OUT  
PERPENDICULARITY ±.002 (UNLESS OTHERWISE SPECIFIED)

NAME: PT403-RM CRYOREFRIGERATOR  
PART #: PT403-RM SYSTEM SHT 1 OF 1  
MATERIAL: AS STATED

1419	-	A	SEE ECN 1419	03JUL07	DWN BY: KDJ	DATE: 19OCT05	SCALE: TO FIT	DWG SIZE: <b>A</b>
953	-	-	INITIAL RELEASE	19OCT05	1ST CHK: BAZ	DATE: 20OCT05	2ND CHK: NLO	DATE: 20OCT05
ECN	ZONE	REV	DESCRIPTION	DATE	CUST: -			