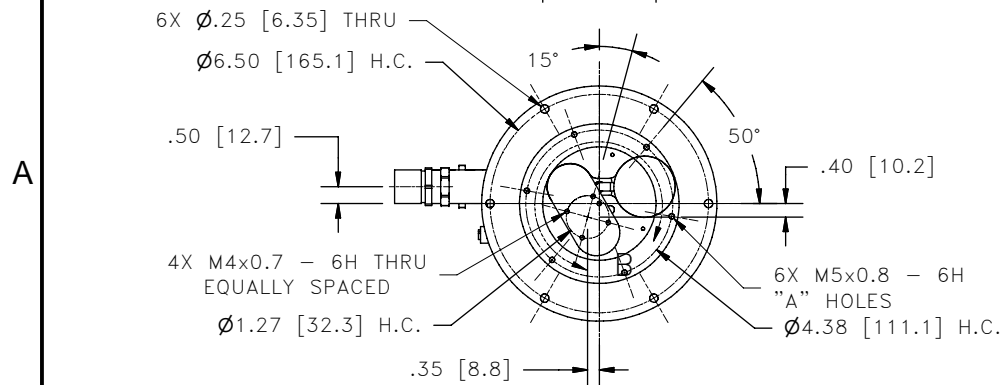
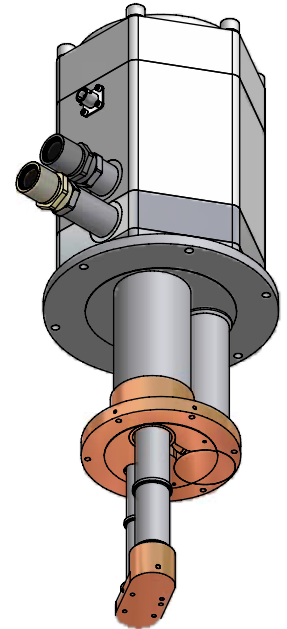
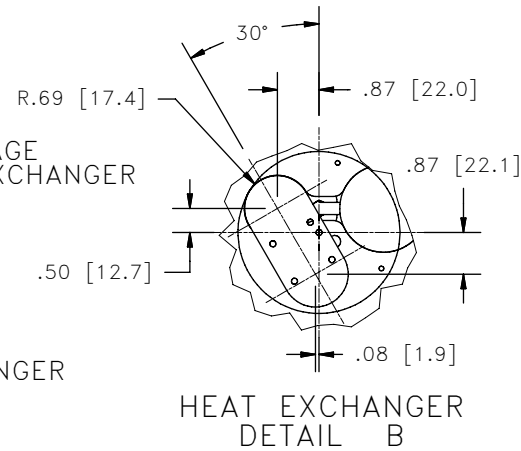
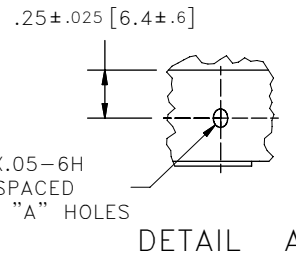
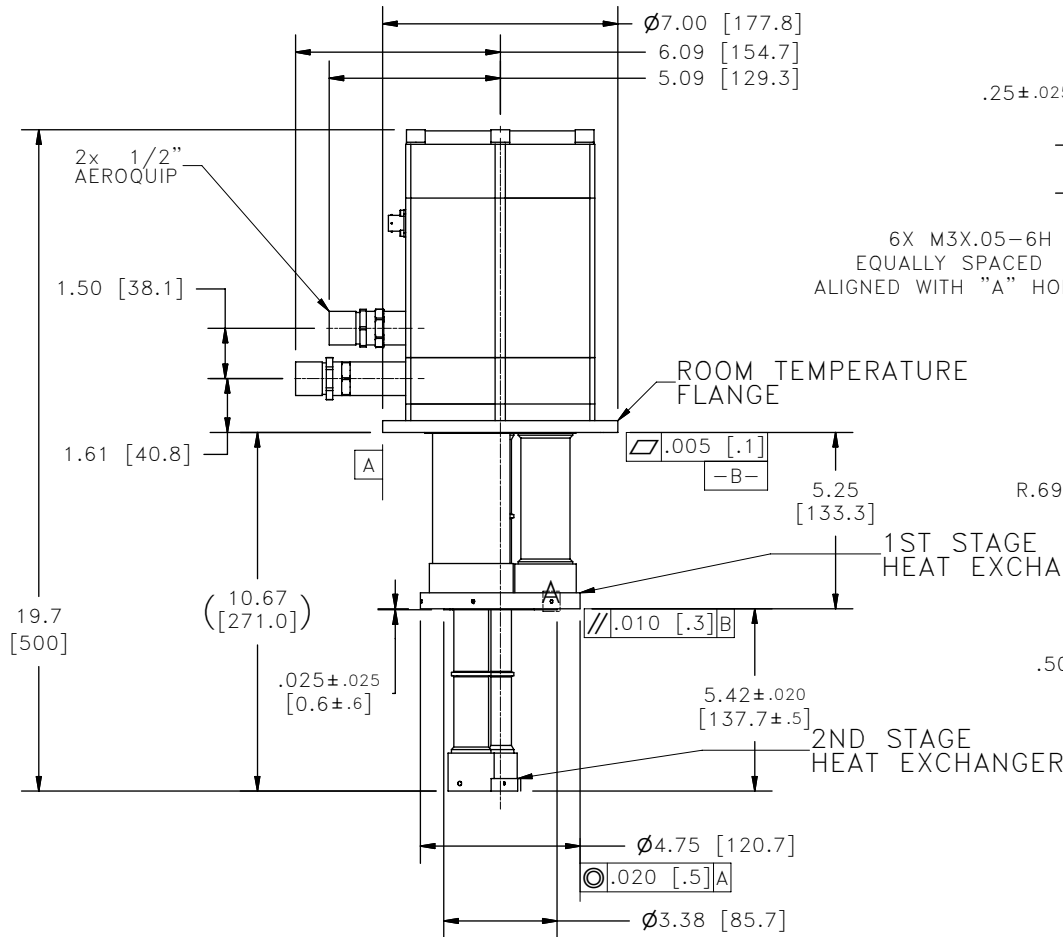
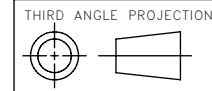


ALL INFORMATION CONTAINED IN THIS DOCUMENT SHOULD BE USED FOR REFERENCE PURPOSES ONLY & ARE SUBJECT TO CHANGE WITHOUT PRIOR NOTIFICATION. ALSO, THIS DOCUMENT IS CONSIDERED PROPRIETARY & THE SOLE PROPERTY OF CRYOMECH, INC. & SHOULD NOT BE REPRODUCED IN ANY MANNER WITHOUT PRIOR WRITTEN APPROVAL.



****SPECIAL NOTE: COLDHEAD MUST BE OPERATED COLD END DOWN****



CRYOMECH, INC
 113 FALSO DRIVE SYRACUSE, N.Y. 13211
 Tel: (315)455-2555 Fax:(315)455-2544

ALL DIMENSIONS ARE IN INCHES
 TOLERANCES: FRACTIONS ±1/32 DECIMALS XXX=±.005 XX=±.01
 ANGLES ±.5° ALLOVER FINISH 25 Ra
 CONCENTRICITY .005 TOTAL INDICATOR RUN OUT
 PERPENDICULAR ±.002 (UNLESS OTHERWISE SPECIFIED)

NAME: CH40403 COLDHEAD OUTLINE			
DWG #: CH40403		SHT 1 OF 1	
MATERIAL: 103-16			
DWN BY: AO	DATE: 16MAR04	SCALE: .175	DWG SIZE: A
1ST CHK: BZ	DATE: 04JUN04	2ND CHK: JC	DATE: 04JUN04
CUST:		BTA: BTA-PT403	

ECN	ZONE	REV	DESCRIPTION	DATE
1559	-	B	SEE ECN 1559	05MAR08
1551	-	A	SEE ECN 1551	21FEB08
1100	-	-	INITIAL RELEASE	25MAY06

THIS DRAWING SUPERSEDES CHPT403