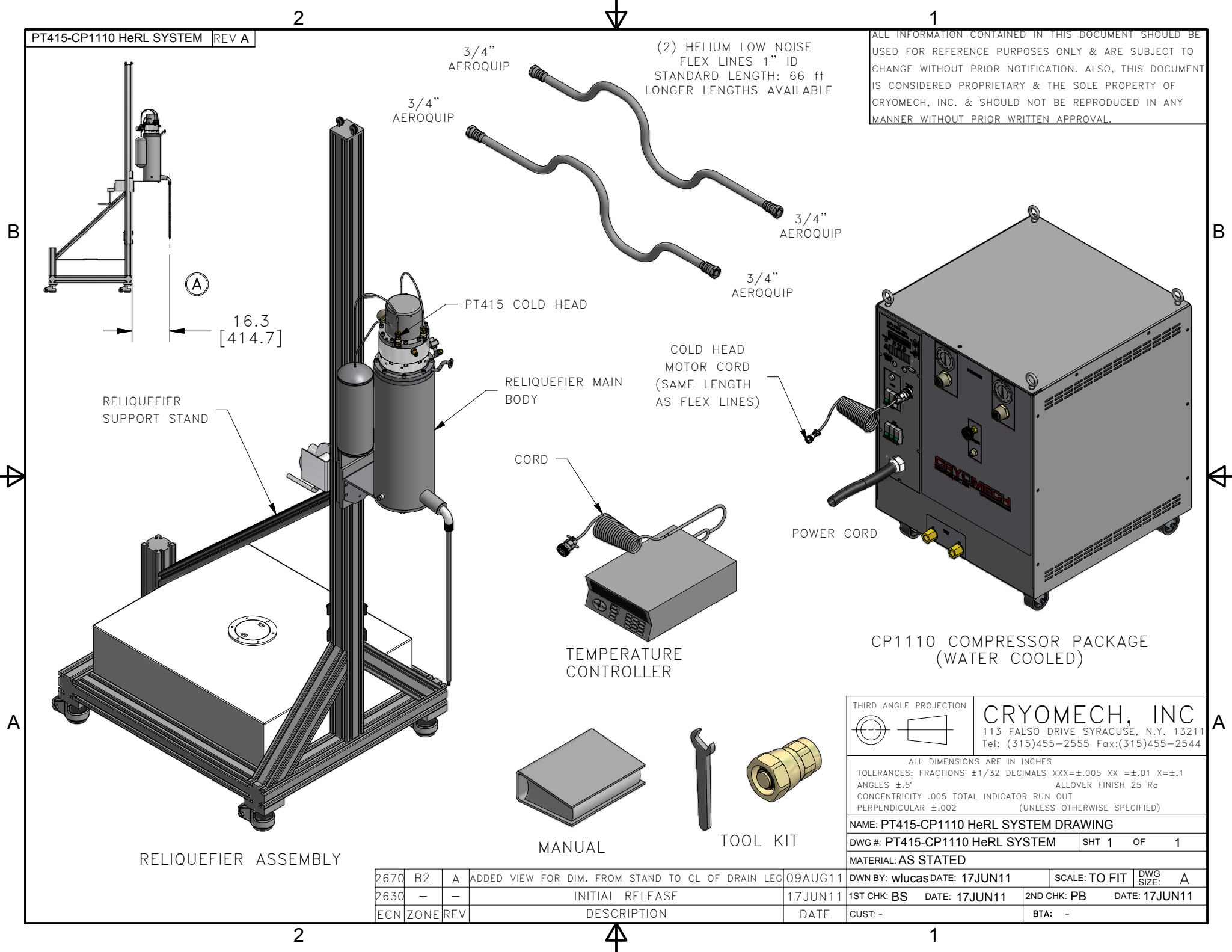


ALL INFORMATION CONTAINED IN THIS DOCUMENT SHOULD BE USED FOR REFERENCE PURPOSES ONLY & ARE SUBJECT TO CHANGE WITHOUT PRIOR NOTIFICATION. ALSO, THIS DOCUMENT IS CONSIDERED PROPRIETARY & THE SOLE PROPERTY OF CRYOMECH, INC. & SHOULD NOT BE REPRODUCED IN ANY MANNER WITHOUT PRIOR WRITTEN APPROVAL.



CP1110 COMPRESSOR PACKAGE (WATER COOLED)

RELIEQUIER ASSEMBLY

TEMPERATURE CONTROLLER

MANUAL

TOOL KIT

THIRD ANGLE PROJECTION			
<p>CRYOMECH, INC 113 FALSO DRIVE SYRACUSE, N.Y. 13211 Tel: (315)455-2555 Fax:(315)455-2544</p>		<p>ALL DIMENSIONS ARE IN INCHES TOLERANCES: FRACTIONS ±1/32 DECIMALS XXX=±.005 XX =±.01 X=±.1 ANGLES ±.5° ALLOVER FINISH 25 Ra CONCENTRICITY .005 TOTAL INDICATOR RUN OUT PERPENDICULAR ±.002 (UNLESS OTHERWISE SPECIFIED)</p>	
NAME: PT415-CP1110 HeRL SYSTEM DRAWING			
DWG #: PT415-CP1110 HeRL SYSTEM		SHT 1 OF 1	
MATERIAL: AS STATED			
2670	B2	A	ADDED VIEW FOR DIM. FROM STAND TO CL OF DRAIN LEG
2630	-	-	INITIAL RELEASE
ECN	ZONE	REV	DESCRIPTION
DWN BY: wlu		DATE: 17JUN11	SCALE: TO FIT
1ST CHK: BS		DATE: 17JUN11	2ND CHK: PB
CUST: -		DATE: 17JUN11	
		BTA: -	
		DWG SIZE: A	

2670	B2	A	ADDED VIEW FOR DIM. FROM STAND TO CL OF DRAIN LEG	09AUG11
2630	-	-	INITIAL RELEASE	17JUN11
ECN	ZONE	REV	DESCRIPTION	DATE